

CATALOGO LISTINO KK-RAMSES 2025  
KK-RAMSES CATALOG 2025

# KK RMSS BL FRC



  
**Lenzokart**<sup>®</sup>  
HIGH PERFORMANCE TECHNOLOGIES

## Indice

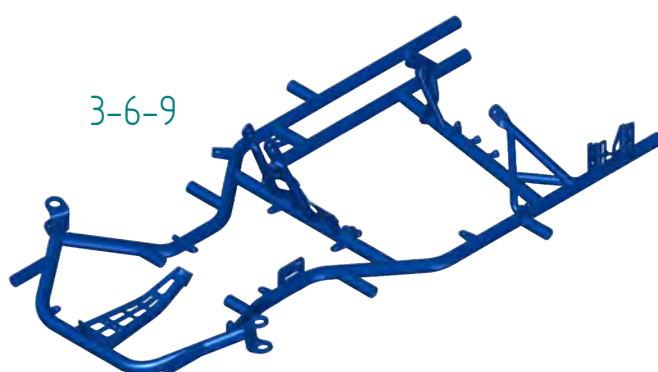
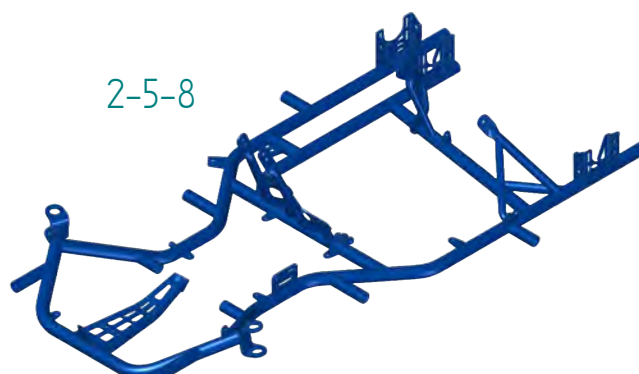
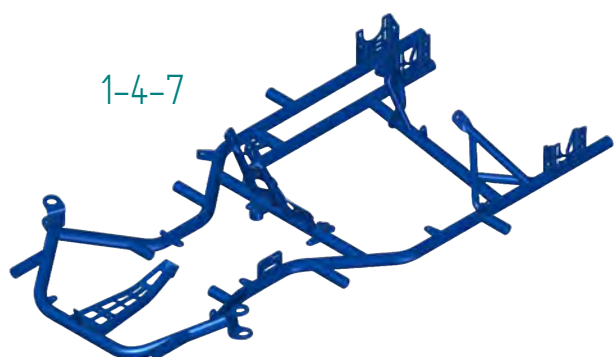
### Index

TELAJ / CHASSIS	3
SCOCHE / FRAMES	4
BARRE STABILIZZATRICI / STABILIZER BARS	5
CARENE - CARROZZERIA LENZOKART / LENZOKART BODYWORKS - SUPPORTS	6
PROTEZIONE POSTERIORE / REAR PROTECTION	8
SERBATOIO / FUEL TANK	10
KIT ADESIVI LENZOKART - PIANALE / LENZOKART STICKERS KIT - FLOOR PLATE	11
FLANGE - CUSCINETTI / AXLE BEARINGS SUPPORTS - BEARINGS	12
TENDICATENA / CHAIN STRETCHER	14
SUPPORTO MARMITTA KZ / KZ EXHAUST SILENCER SUPPORT	15
SUPPORTO MARMITTA OK, OKJ / OK OKJ EXHAUST SILENCER SUPPORT	17
ASSALI / AXLES	19
IMPIANTO FRENANTE POSTERIORE / REAR BRAKE SYSTEM	21
IMPIANTO FRENANTE ANTERIORE / FRONT BRAKE SYSTEM	22
ESPLOSO PINZA FRENO POSTERIORE / REAR CALIPER ASSEMBLED VIEW	24
ESPLOSO PINZA FRENO ANTERIORE / FRONT BRAKE CALIPER ASSAMBLED VIEW	26
POMPA FRENO / BRAKE PUMP	28
KIT VITI PER MONTAGGIO POMPA FRENO DIRECT DRIVE - SHIFTER /	30
DIRECT DRIVE - SHIFTER BRAKE PUMP SCREWS KIT	
GRUPPO COMANDO FRENO / BRAKE SYSTEM CONTROL	31
PORTA DISCO POSTERIORE - ANTERIORE / REAR - FRONT DISC HOLDERS	32
PORTA CORONA / REAR SPROCKET CARRIERS	33
GRUPPO PEDALI / PEDALS SYSTEM	34
SISTEMA PEDALIERA ARRETRATA - RIALZATA / RETRACTED - RAISED PEDALS SYSTEM	36
POGGIA TALLONI / FEET SUPPORT	37
VOLANTE-MOZZO VOLANTE-LEVA FRIZIONE / STEERING WHEEL - STEERING WHEEL	38
HUB - CLUTCH LEVER	
PIANTONE /STEERING COLUMN	39
FUSELLI / STUB-AXLES	43
ESPLOSO GRUPPO FUSELLO / STUB AXLE ASSEMBLED VIEW	45
LEVA CAMBIO / GEAR LEVER	47
MOZZI POSTERIORI - ANTERIORI / REAR - FRONT HUBS	49
SEDILI / SEATS	51
ZAVORRA IN PIOMBO / LEAD BALLASTS	53
PROTEZIONE CATENA / CHAIN PROTECTION	54
CERCHI / RIMS	55
CAVI E TUBI CARBURANTE / FUEL CABLES AND PIPES	56

## Telai Chassis

ES	Cod	Articolo Item
	LK003C KK	TELAIO COMPLETO KK OK TUBO Ø30 <i>KK OK Ø30 TUBE COMPLETE CHASSIS</i>
	LK003C KK Z	TELAIO COMPLETO KK KZ TUBO Ø30 <i>KK KZ Ø30 TUBE COMPLETE CHASSIS</i>
	LK003C KK DD2	TELAIO COMPLETO DD2 OK-OKJ TUBO Ø30 <i>DD2 OK-OKJ Ø30 TUBE COMPLETE CHASSIS</i>
	LK003C RAMSES	TELAIO COMPLETO RAMSES OK TUBO Ø32 <i>RAMSES OK Ø32 TUBE COMPLETE CHASSIS</i>
	LK003C RAMSES KZ	TELAIO COMPLETO RAMSES KZ TUBO Ø32 <i>RAMSES KZ Ø32 TUBE COMPLETE CHASSIS</i>
	LK003C RAMSES DD2	TELAIO COMPLETO DD2 OK-OKJ TUBO Ø32 <i>DD2 OK-OKJ Ø32 TUBE COMPLETE CHASSIS</i>
	LK003C BF	TELAIO COMPLETO BLUE FORCE OK TUBO Ø30/32 <i>BLUE FORCE OK Ø30/32 TUBE COMPLETE CHASSIS</i>
	LK003C BF Z	TELAIO COMPLETO BLUE FORCE KZ TUBO Ø30/32 <i>BLUE FORCE KZ Ø30/32 TUBE COMPLETE CHASSIS</i>
	LK003C BF DD2	TELAIO COMPLETO DD2 OK-OKJ TUBO Ø30/32 <i>DD2 OK-OKJ Ø30/32 TUBE COMPLETE CHASSIS</i>

## Scocche Frames



ES	Cod	Articolo Item
1	LK003KK 1	SCOCCA NUDA KK DIRECT DRIVE KK DIRECT DRIVE BARE FRAME
2	LK003KK 2	SCOCCA NUDA KK SHIFTER KK SHIFTER BARE FRAME
3	LK003KK 3	SCOCCA NUDA KK DD2 KK DD2 BARE FRAME
4	LK003R 1	SCOCCA NUDA RAMSES DIRECT DRIVE RAMSES DIRECT DRIVE BARE FRAME
5	LK003R 2	SCOCCA NUDA RAMSES SHIFTER RAMSES SHIFTER BARE FRAME
6	LK003R 3	SCOCCA NUDA RAMSES DD2 RAMSES DD2 BARE FRAME
7	LK003BF 1	SCOCCA NUDA BLUE FORCE DIRECT DRIVE BLUE FORCE DIRECT DRIVE BARE FRAME
8	LK003BF 2	SCOCCA NUDA BLUE FORCE SHIFTER BLUE FORCE SHIFTER BARE FRAME
9	LK003BF 3	SCOCCA NUDA BLUE FORCE DD2 BLUE FORCE DD2 BARE FRAME

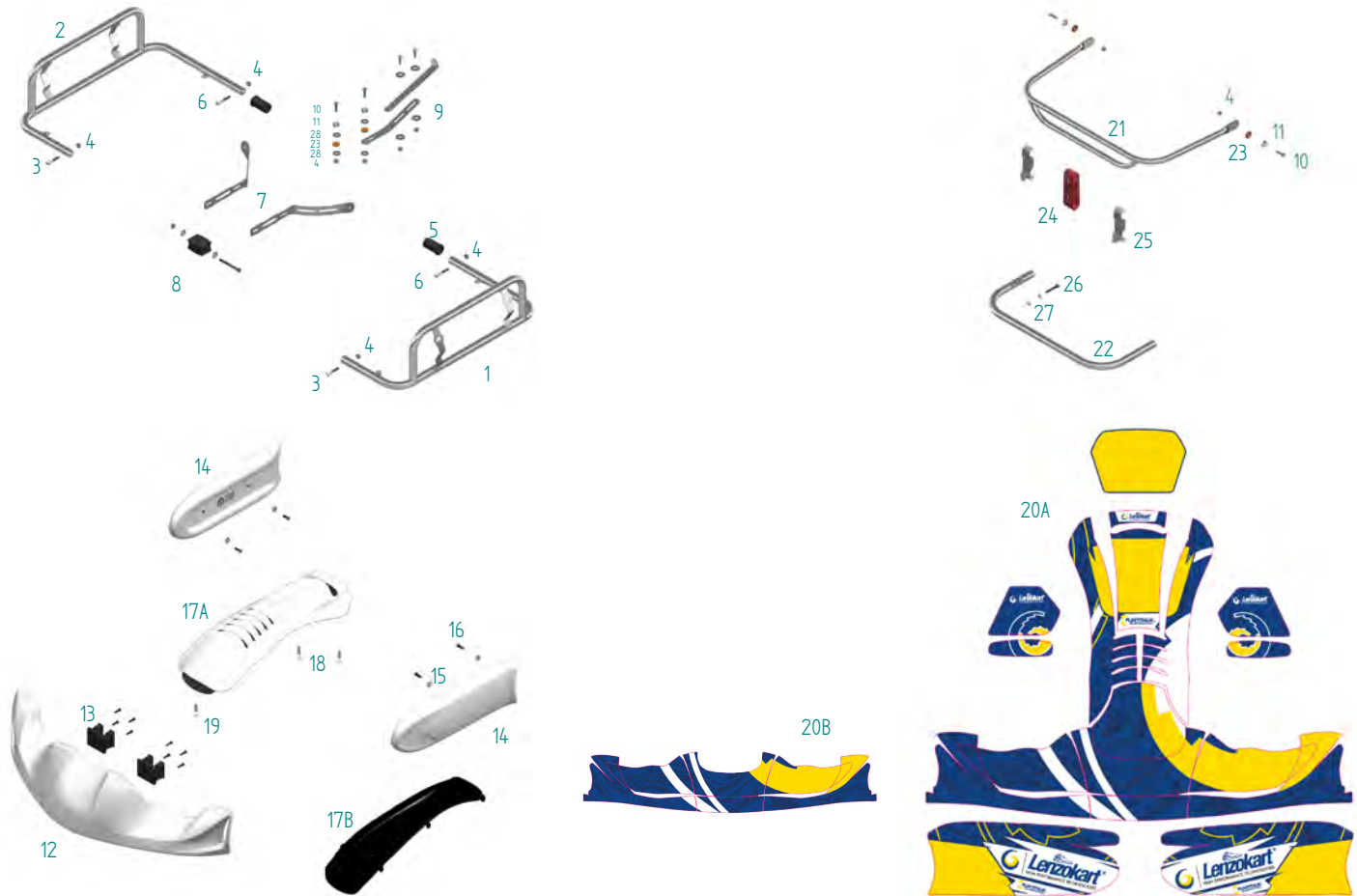
## Barre stabilizzatrici

### Stabilizer bars



ES	Cod	Articolo Item
1	LK017S 1	BARRA STABILIZZATRICE ANTERIORE TONDA ROUND FRONT STABILIZER BAR
2	LK017S TM	BARRA STABILIZZATRICE ANTERIORE TONDA MORBIDA ROUND SOFT FRONT STABILIZER BAR
3	LK017S NY	BARRA STABILIZZATRICE ANTERIORE TONDA NYLON ROUND NYLON FRONT STABILIZER BAR
4	LK017S PS	BARRA STABILIZZATRICE ANTERIORE PIATTA S FLAT FRONT STABILIZER BAR
5	LK0440 T	FASCETTA BARRA ANTERIORE TONDA FRONT STABILIZER BAR CLAMP
6	LK061B 8X20	VTCE 8X20 8X20 VTCE SCREW

Carene - supporti  
Bodyworks - supports



ES	Cod	Articolo Item
1	LK017G DX 507	SUPPORTO CARENA LATERALE DX 507 507 SIDE POD SUPPORT R
2	LK017G SX 507	SUPPORTO CARENA LATERALE SX 507 507 SIDE POD SUPPORT L
3	LK061B 6X35	VTCE 6X35 6X35 VTCE SCREW
4	LK061D FLAN	DADO M.6 AUTOBLOCCANTE FLANGIATO M.6 SELF-LOCKING FLANGED NUT
5	LK009I	GOMMOTTO SUPPORTO CARENA PLASTIC SIDE POD CONNECTOR
6	LK061B 6X40	VTCE 6X40 6X40 VTCE SCREW
7	LK009W 509 KIT	KIT SUPPORTO FRONTALINO MOD. 509 509 MODEL FRONT FAIRING SUPPORT KIT
8	LK016F MK20	KIT RINFORZO STAFFA FRONTALINO ALTA HIGH FRONT FAIRING SUPPORT REINFORCEMENT KIT
9	LK016M 509	KIT STAFFA SUP. FRONTALINO BASSO 509 509 LOW FRONT FAIRING SUPPORT KIT

ES	Cod	Articolo Item
10	LK061A 6X25	VSP 6X25 6X25 VSP SCREW
11	LK020E T	RONDELLA SVASATA M.6X20 6X20 COUNTERSUNK WASHER
12	LK009U 509	SPOILER ANTERIORE MOD. 509 PERLA 509 MODEL PEARL FRONT SPOILER
13	LK009F CIK	ATTACCO SPOILER AT 022 AT 022 SPOILER ATTACHMENT
14	LK009X 507	CARENA LATERALE MOD. 507 507 MODEL SIDE POD
15	LK061E 8X24	RONDELLA M8X24 8X24 WASHER
16	LK061C 8X20	TE 8X20 SCREW 8X40
17A	LK009W 509	FRONTALINO MOD. 509 PERLA 509 PERLA MODEL FRONT FAIRING
17B	RC.283	CANALE INFERIORE FRONTALINO 509 509 LOWER CHANNEL OF THE FRONT FAIRING
18	LK061B 6X16	VTCE 6X16 6X16 VTCE SCREW
19	LK061B 6X20	VTCE 6X20 6X20 VTCE SCREW
20A	LK047S 509	KIT ADESIVI CARENE MOD. 509 FAIRING STICKER KIT MOD. 509
20B	LK047S SP 509	KIT ADESIVI SPOILER MOD. 509 SPOILER STICKER KIT MOD. 509
21	LK0170 507	PARAURTI ANTERIORE SUPERIORE UPPER FRONT SPOILER SUPPORT
22	LK0170 1 507	PARAURTI ANTERIORE INFERIORE LOWER FRONT SPOILER SUPPORT
23	LK007L	GOMMINO PER PIANALE IN ALLUMINIO RUBBER WASHER
24	LK009G CIK	ADATTATORE ATTACCO SPOILER SPOILER CONNECTION ADAPTER
25	LK009F	ATTACCO SPOILER DUE GANCI FRONT SPOILER CLAMPS KIT
26	LK061C 6X30	TE 6X30 6X30 TE SCREW
27	LK061D 6	DADO M.6 AUTOBLOCCANTE FLANGIATO M.6 SELF-LOCKING FLANGED NUT
28	LK061E 6X18	RONDELLA 6X18 6X18 WASHER

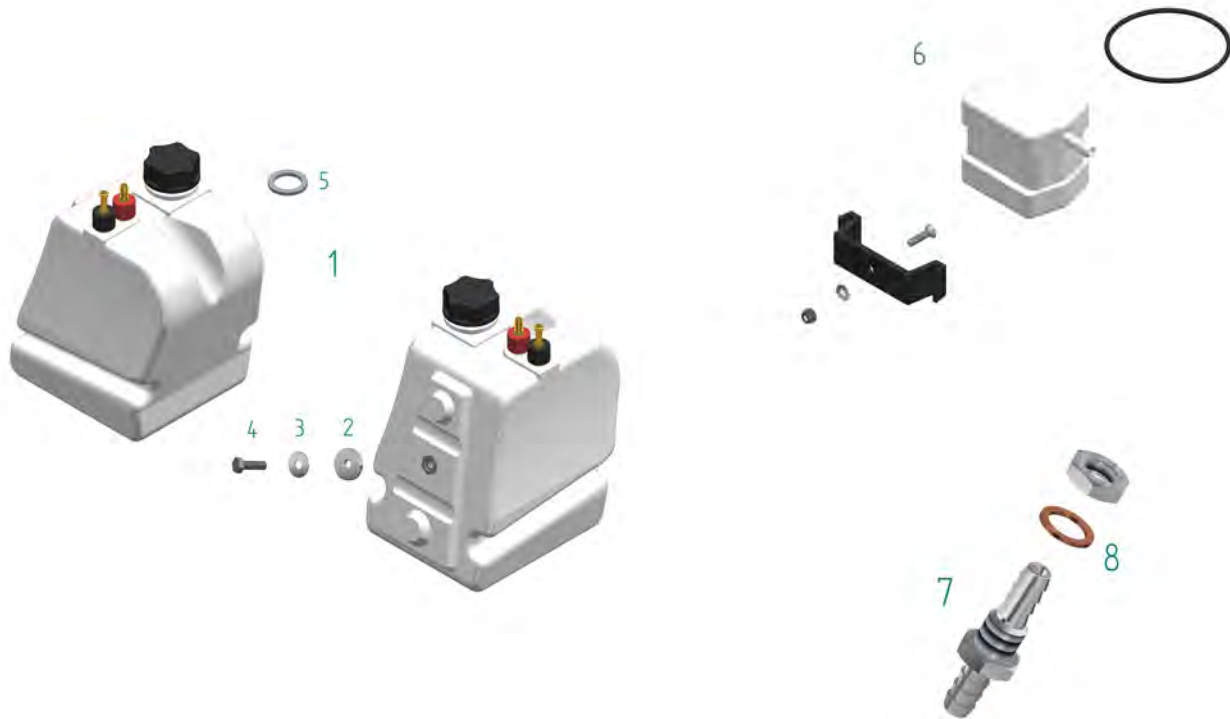
Protezione posteriore  
Rear protection



ES	Cod	Articolo Item
1	LK009L C3	PROTEZIONE POSTERIORE KG C3 NERO REAR PROTECTION KG C3 BLACK
2	LK009R	KIT ATTACCO PROTEZIONE POSTERIORE BREAR PROTECTION CLAMP KIT
3	LK061C 10X160	TE 10X160 10X160 TE SCREW
4	LK017E 1	GOMMOTTO Ø25 Ø25 RUBBER PIN

ES	Cod	Articolo Item
5	LK017D 1	GOMMOTTO Ø27 Ø27 RUBBER PIN
6	LK020X T	BOCCOLA INTERNA Ø30 Ø30 INTERNAL BUSHING
7	LK020W	BOCCOLA INTERNA Ø32 Ø32 INTERNAL BUSHING
8	LK020Z	BOCCOLA ESTERNA OUTER BUSHING
9	LK061E 10	RONDELLA M10 M10 WASHER
10	LK019G SG	RONDELLA SPINGIGOMMOTTO RUBBER PRESSURE WASHER
11	LK061D 10B	DADO M.10 AUTOBLOCCANTE BASSO M.10 LOW SELF-LOCKING NUT
12	LK061D 10	DADO M.10 M.10 NUT
13	LK0290 1	TAPPO PER TUBO Ø30 Ø30 FRAME CAP
14	LK0290	TAPPO PER TUBO Ø32 Ø32 FRAME CAP
15	RC.248.NE	PARTE ESTERNA SPOILER POSTERIORE OUTSIDE REAR SPOILER
16	LK009R 1	KIT ATTACCO PARAURTI DA 30MM COMPOSTO DA: 2X 3-4-6-8-9-10-11-12-12 30MM REAR PROTECTION KIT SUPPORT COMPOSED BY: 2X 3-4-6-8-9-10-11-12-12
17	LK009R 2	KIT ATTACCO PARAURTI DA 32MM COMPOSTO DA: 2X 3-5-7-8-9-10-11-12-12 32MM REAR PROTECTION KIT SUPPORT COMPOSED BY: 2X 3-5-7-8-9-10-11-12-12

## Serbatoio Fuel tank



ES	Cod	Articolo Item
1	LK012Q	SERBATOIO 8,5L 8,5 FUEL TANK
2	LK015N T	SPESSORE SEDILE 5MM 5MM SEAT SPACER
3	LK061E 8X24	RONDELLA M.8X24 8X24 WASHER
4	LK061C 8X20	TE 8X20 8X20 SCREW
5	LK012R	GUARNIZIONE TAPPO SERBATOIO FUEL TANK CAP GASKET
6	LK012F	KIT SERBATOIO DI RECUPERO RECOVERY TANK KIT
7	LK012S	RACCORDO SFIATO TANK BREATHER
8	LK030L F	RONDELLA IN FIBRA M.10X14X1,5 M.10X14X1,5 FIBER WASHER

## Adesivi lenzokart - pianale

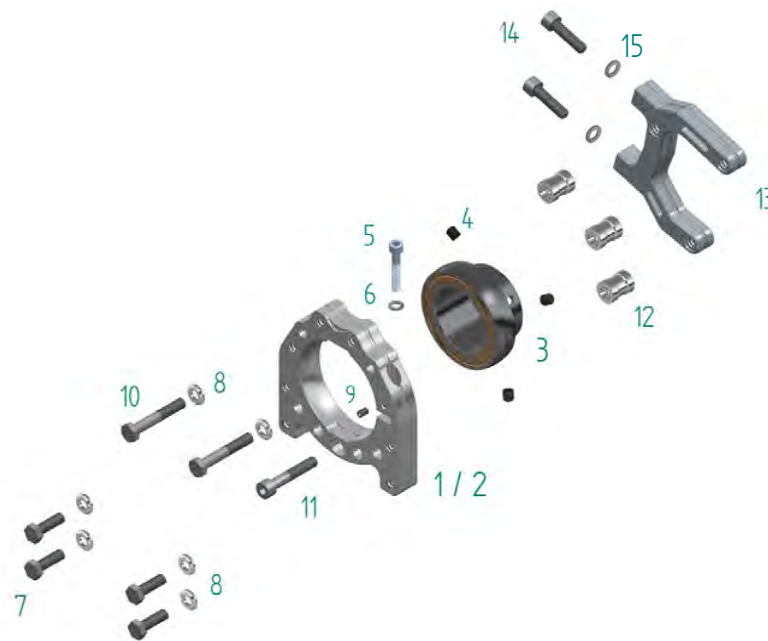
### Lenzokart stickers kit - floor plate



ES	Cod	Articolo Item
1A	LK007I 10V	PIANALE IN ALLUMINIO KK KK ALLUMINIUM FLOOR PLATE
1B	LK007I MIZAR	PIANALE IN ALLUMINIO MIZAR MIZAR ALLUMINIUM FLOOR PLATE
	LK007I C	PIANALE IN ALLUMINIO KK COMPLETO DI ADESIVO KK ALLUMINIUM FLOOR PLATE COMPLETE WITH STICKER
	LK007I C1	PIANALE IN ALLUMINIO MIZAR COMPLETO DI ADESIVO MIZAR ALLUMINIUM FLOOR PLATE COMPLETE WITH STICKER
2	LK047U KK-R	ADESIVO PIANALE KK-R KK-R FLOOR PLATE STICKER
3	LK007I KIT	KIT FISSAGGIO PIANALE FLOOR PLATE FIXING KIT

## Flange - cuscinetti

### Axle bearings supports - bearings

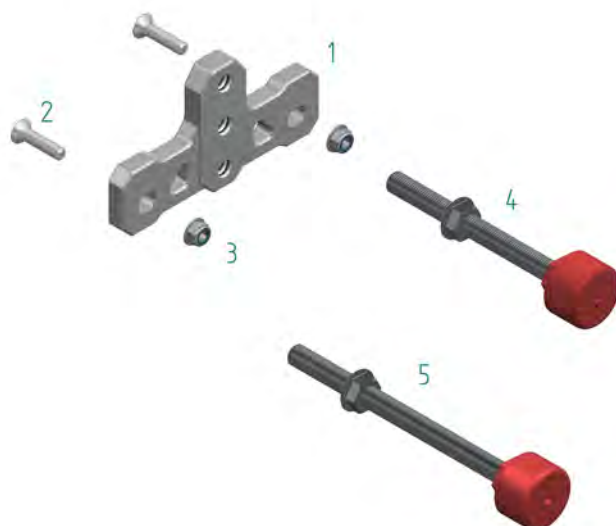


ES	Cod	Articolo Item
1	LK022F KK-R 4	FLANGIA SUPP. CUSCINETTO 50X80 KK-R 2025 50X80 KK-R 2025 ALL. AXLE BEARING SUPPORT
2	LK022F M KK-R	FLANGIA SUPP. CUSCINETTO IN MAGNESIO 50X80 KK-R 50X80 KK-R MAGNESIUM AXLE BEARING SUPPORT
3	LK021V	CUSCINETTO ASSALE 50X80 50X80 AXLE BEARING
4	LK061H 8X8	GRANO M.8X8 M.8X8 GRUB SCREW
5	LK061B 6X30	VTCE 6X30 6X30 VTCE SCREW
6	LK061E Z	RONDELLA M.6 ZIGRINATA M.6 KNURLED WASHER
7	LK061C 8X25	TE 8X25 8X25 TE SCREW

ES	Cod	Articolo Item
8	LK061E 3	RONDELLA C 3MM 3MM C WASHER
9	LK016L G	GRANO M.5X5 M.5X5 GRUB SCREW
10A	LK061C 8X60	TE 8X60 8X60 TE SCREW
10B	LK061C 8X70	TE 8X70 (PER KZ) 8X70 TE SCREW (FOR KZ)
11A	LK061B 8X50	VTCE 8X50 8X50 VTCE SCREW
11B	LK061B 8X60	VTCE 8X60 (PER KZ) 8X60 VTCE SCREW (FOR KZ)
12A	LK031B LKF14 1	DISTANZIALE SUPPORTO PINZA LKF14 SPACER FOR LKF14 CALIPER SUPPORT
12B	LK031B LKF14 2	DISTANZIALE SUPPORTO PINZA LKF14 LUNGO (PER KZ) LONG SPACER FOR LKF14 CALIPER SUPPORT (FOR KZ)
13	LK31B LKF14	PIASTRA SUPPORTO PINZA KK-R KK-R CALIPER SUPPORT PLATE
14	LK061B 8X30	VTCE 8X30 8X30 VTCE SCREW
15	LK061E 8Z	RONDELLA M.8 ZIGRINATA M.8 KNURLED WASHER

## Tendicatena

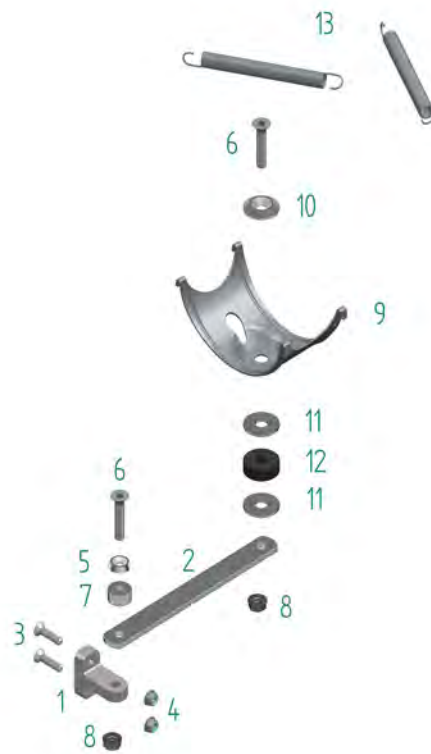
### Chain stretcher



Es	Cod	Articolo Item
1	LK037F K	PIASTRA TENDICATENA KZ KZ CHAIN STRETCHER PLATE
2	LK061A 6X25	VSP 6X25 6X25 VSP SCREW
3	LK061D FLAN	DADO M6 AUTOBLOCCANTE FLANGIATO M.6 SELF-LOCKING FLANGED NUT
4	LK037H	PERNO TIRAMOTORE 10X90 10X90 CHAIN STRETCHER SCREW
5	LK037H 1	PERNO TIRAMOTORE 10X120 10X120 CHAIN STRETCHER SCREW

## Supporto marmitta kz

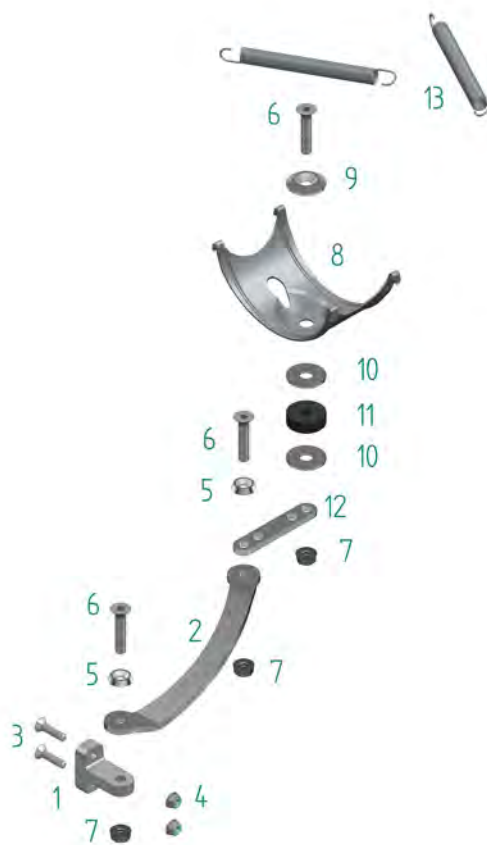
### Kz exhaust silencer support



Es	Cod	Articolo Item
1	LK041R 7	STAFFA SUPPORTO SCARICO EXHAUST SUPPORT BRACKET
2	LK041T 1	STAFFA SUPPORTO CULLA LUNGA LONG PLATE EXTENSION HOLDER
3	LK061A 6X25	VSP 6X25 6X35 VSP SCREW
4	LK061D FLAN	DADO M.6 AUTOBLOCCANTE FLANGIATO M.6 SELF-LOCKING FLANGED NUT
5	LK020D T	RONDELLA SVASATA ALLUMINIO M.8X22 8X22 ALLUMINIUM COUNTERSUNK WASHER
6	LK061A 8X40	VSP 8X40 8X40 VSP SCREW
7	LK040X 4	DISTANZIALE 10MM 10MM SPACER
8	LK061D 8AUT.F	DADO M.8 AUTOBLOCCANTE FLANGIATO M.8 SELF-LOCKING FLANGED NUT
9	LK041F	CULLA MARMITTA EXHAUST SILENCER CRADLE HOLDER

Es	Cod	Articolo Item
10	LK020A T	RONDELLA SVASATA ALLUMINIO M.8X30 M.8X30 ALLUMINIUM COUNTERSUNK WASHER
11	LK061E 10X30	RONDELLA M.10X30 M.10X30 WASHER
12	LK041Q	GOMMINO Ø30X8 Ø30X8 RUBBER
13	LK035M	MOLLA CULLA MARMITTA EXHAUST SILENCER CRADLE SPRING
14	LK041R KIT	KIT SUPPORTO SCARICO KZ DX-SX KZ R-L EXHAUST SILENCER SUPPORT KIT

## Supporto marmitta ok, ok-j, ok-n Ok, ok-j, ok-n exhaust silencer support



Es	Cod	Articolo Item
1	LK041R 7	STAFFA SUPPORTO SCARICO EXHAUST SILENCER SUPPORT BRACKET
2	LK041R 10	STAFFA CURVA MARMITTA 5MM CURVED MUFFLER BRACKET 5MM
3	LK061A 6X25	VSP 6X25 6X25 VSP SCREW
4	LK061D FLAN	DADO M.6 AUTOBLOCCANTE FLANGIATO M.6 SELF-LOCKING FLANGED NUT
5	LK020D T	RONDELLA SVASATA ALLUMINIO M.8X22 8X22 ALLUMINIUM COUNTERSUNK WASHER
6	LK061A 8X35	VSP 8X35 8X35 VSP SCREW
7	LK061D 8AUT.F	DADO M.8 AUTOBLOCCANTE FLANGIATO M.8 SELF-LOCKING FLANGED NUT

Es	Cod	Articolo Item
8	LK041F	CULLA MARMITTA EXHAUST SILENCER CRADLE HOLDER
9	LK020A T	RONDELLA SVASATA ALLUMINIO M.8X30 8X30 ALLUMINUM COUNTERSUNK WASHER
10	LK061E 10X30	RONDELLA M.10X30 M.10X30 WASHER
11	LK041Q	GOMMOTTO Ø30X8 Ø30X8 RUBBER
12	LK041R 5	STAFFA SUPPORTO MARMITTA MUFFLER SUPPORT BRACKET
13	LK035M	MOLLA CULLA MARMITTA EXHAUST SILENCER CRADLE SPRING
14	LK041R 1 KIT	KIT SUPPORTO SCARICO OK-OKJ OK-OKJ EXHAUST SILENCER SUPPORT KIT

## Assali Axles

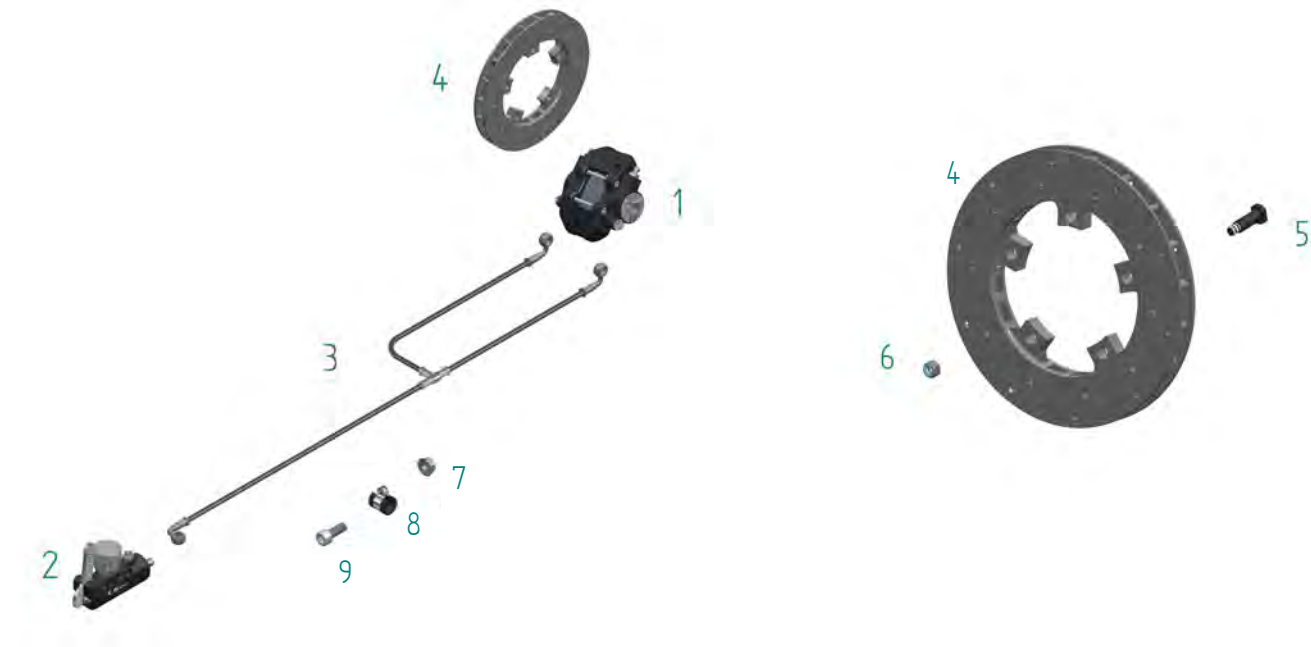


Es	Cod	Articolo Item
1	LK021R 5	ASSALE C6 100/125 L=1030 C6 100/125 L=1030 AXLE
	LK021S 5	ASSALE C7 100/125 L=1030 C7 100/125 L=1030 AXLE
	LK021T 5	ASSALE C8 100/125 L=1020 C8 100/125 L=1020 AXLE
	LK021T 6	ASSALE C8 100/125 L=1030 C8 100/125 L=1030 AXLE
	LK021Y 12	ASSALE F3 100/125 L=1020 F3 100/125 L=1020 AXLE
	LK021Y 11	ASSALE F3 100/125 L=1030 F3 100/125 L=1030 AXLE
	LK021P 5	ASSALE F4 100/125 L=1020 F4 100/125 L=1020 AXLE
	LK021P 5 BOCC	ASSALE F4 100/125 L=1020 CON BOCCOLA F4 100/125 L=1020 AXLE WITH BUSHING
	LK021P 8	ASSALE F4 100/125 L=1030 F4 100/125 L=1030 AXLE
	LK021P 8 BOCC	ASSALE F4 100/125 L=1030 CON BOCCOLA F4 100/125 L=1030 AXLE WITH BUSHING
	LK021Z 4	ASSALE F5 100/125 L=1020 F5 100/125 L=1020 AXLE

Es	Cod	Articolo Item
	LK021Z 9 BOCC	ASSALE F5 100/125 L-1020 CON BOCCOLA F5 100/125 L-1020 AXLE WITH BUSHING
	LK021Z 7	ASSALE F5 100/125 L-1030 F5 100/125 L-1030 AXLE
	LK021Z 8 BOCC	ASSALE F5 100/125 L-1030 CON BOCCOLA F5 100/125 L-1030 AXLE WITH BUSHING
	LK021Q 5	ASSALE F6 100/125 L-1020 F6 100/125 L-1020 AXLE
	LK021Q 7	ASSALE F6 100/125 L-1030 F6 100/125 L-1030 AXLE
	LK021Z 12	ASSALE F9 100/125 L-1020 F9 100/125 L-1020 AXLE
	LK021Z 13	ASSALE F9 100/125 L-1030 F9 100/125 L-1030 AXLE
	LK021Z 13 BOCC	ASSALE F9 100/125 L-1030 BOCC. F9 100/125 L-1030 AXLE WITH BUSHING
2	LK021U	CHIAVETTA A TRE PIOLI THREE-PIN AXLE KEY
3	LK039E 1	O-RING PULEGGIA PULLEY O-RING

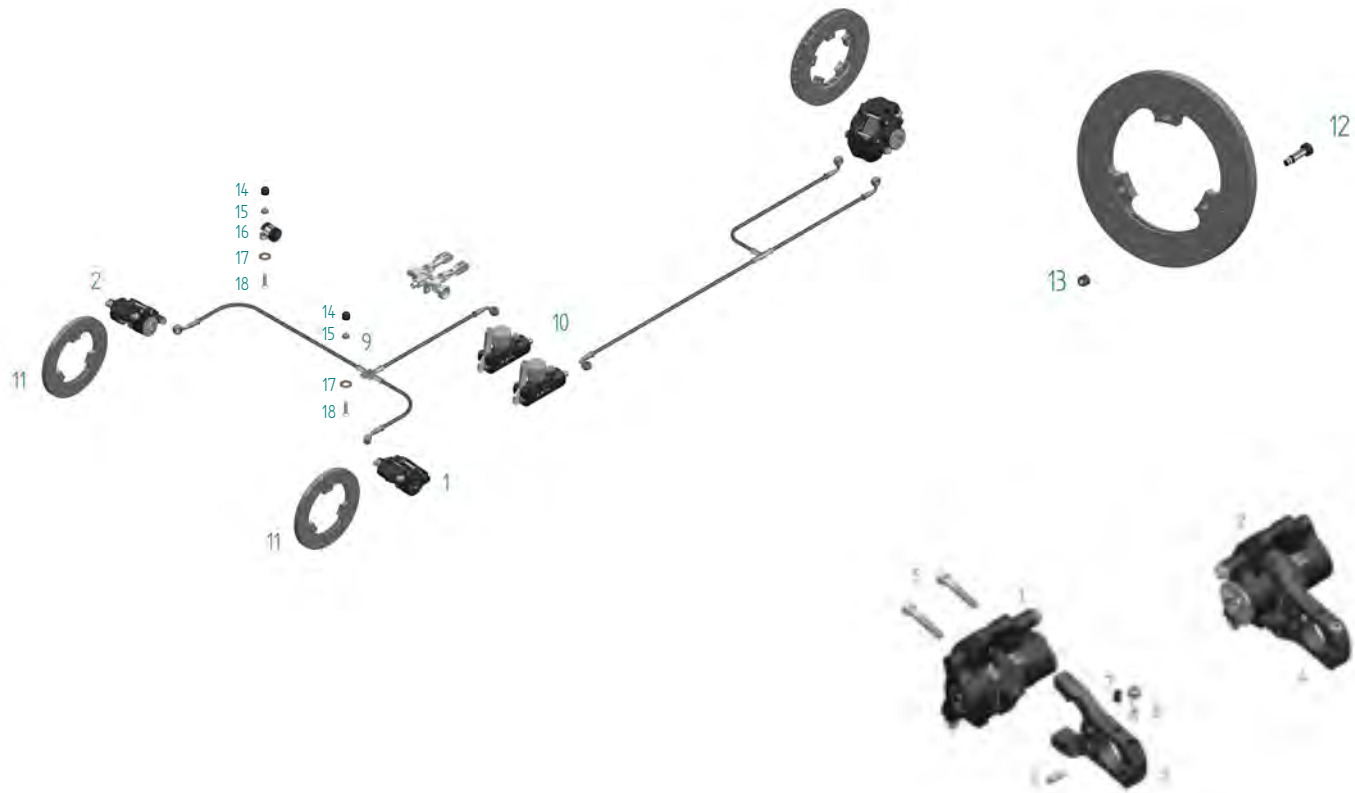
## Impianto frenante posteriore

### Rear brake system



Es	Cod	Articolo Item
1	LK031Z LKF14	PINZA FRENO POSTERIORE LKF14 LKF14 REAR BRAKE CALIPER
2	LK030J KK-R	POMPA FRENO KK-R KK-R BRAKE PUMP
3	LK030K 100 KK-R	SERIE TUBO FRENO POSTERIORE REAR BRAKE HOSE
4	LK034S KK-R	DISCO FRENO POSTERIORE AUTOVENTILATO FLOTTANTE KK-R SELF-VENTILATED FLOATING REAR BRAKE DISC
5	LK023N	VITE RETTIFICATA PORTA DISCO RECTIFIED DISC HOLDER SCREW
6	LK061D MET6	DADO M.6 METAL BLOCK M.6 METAL BLOCK NUT
7	LK061D FLAN	DADO M.6 AUTOBLOCCANTE FLANGIATO ZINC. M.6 SELF-LOCKING NUT WITH WASHER
8	LK044T	FASCETTA PASSACAVI GOMMATA M.8 RUBBERIZED CABLE TIE M.8
9	LK061B 6X16	VTCE 6X16 SCREW 6X16

## Impianto frenante anteriore Front brake system

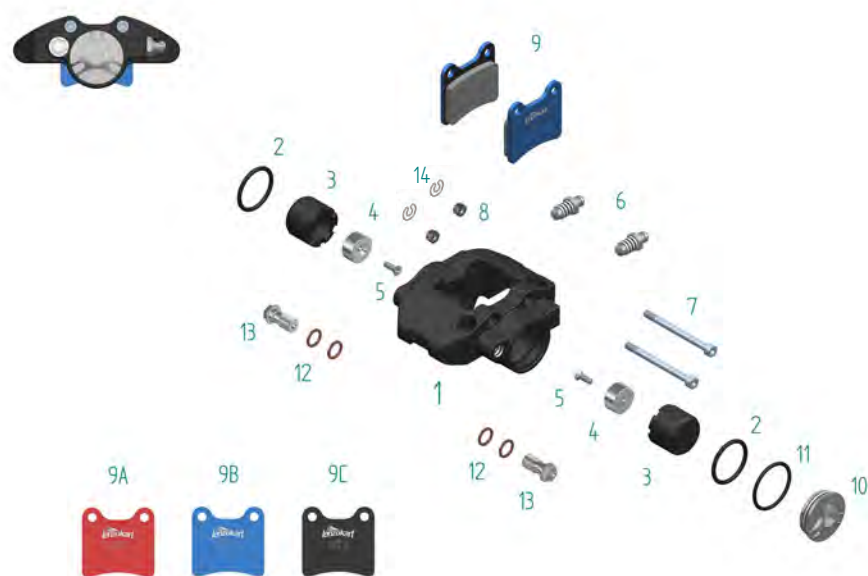


Es	Cod	Articolo Item
1	LK032X S LKF13	PINZA FRENO ANTERIORE IDRAULICA SX L FRONT BRAKE CALIPER
2	LK032X D LKF13	PINZA FRENO ANTERIORE IDRAULICA DX R FRONT BRAKE CALIPER
3	LK032A SX	PIASTRA SUPPORTO PINZA SX L FRONT BRAKE CALIPER SUPPORT
4	LK032A DX	PIASTRA SUPPORTO PINZA DX R FRONT BRAKE CALIPER SUPPORT
5	LK061B 6X35	VTCE 6X35 6X35 VTCE SCREW
6	B,04,094,A	SPINA 6X14 6X14 PIN
7	LK061H 6X10	GRANO M.6X10 M.6X10 GRUB SCREW
8	LK061B 6X30	VTCE 6X30 6X30 VTCE SCREW

Es	Cod	Articolo Item
9	LK030K KZ KK-R	SERIE TUBI FRENO ANTERIORE <i>FRONT BRAKE HOSE</i>
10	LK030J KK-R	POMPA FRENO KK-R <i>KK-R BRAKE PUMP</i>
11	LK034R KK-R	DISCO FRENO ANTERIORE AUTOVENTILATO FLOTTANTE <i>SELF-VENTILATED FLOATING FRONT BRAKE DISC</i>
12	LK0610 M5X16	VITE RETTIFICATA 5X16 <i>5X16 RECTIFIED SCREW</i>
13	LK061D MET5	DADO M.5 METAL BLOCK <i>M.5 METAL BLOCK NUT</i>
14	LK0290 7	TAPPO COPRIVITE M.6 <i>M.6 SCREW COVER CAP</i>
15	LK061D 6 AUT B	DADO M.6 AUTOBLOCCANTE BASSO <i>M.6 LOW SELF-LOCKING NUT</i>
16	LK044T	FASCETTA PASSACAVI GOMMATA M.8 <i>RUBBERIZED CABLE TIE M.8</i>
17	LK061E 10	RONDELLA M10 <i>M10 WASHER</i>
18	LK061A 6X16	VSP 6X16 <i>6X16 VSP SCREW</i>

## Esploso pinza freno posteriore

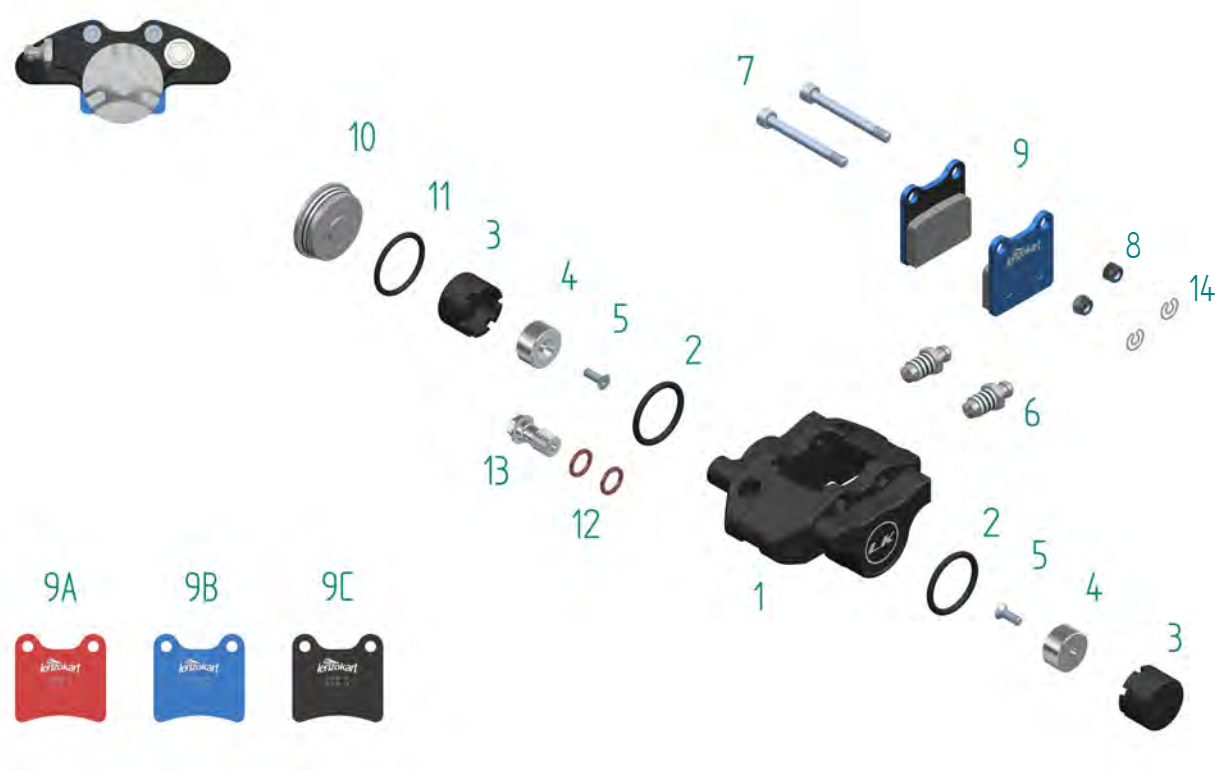
### Rear caliper assembled view



ES	Cod	Articolo Item
1	LK031B C LKF14	CORPO PINZA FRENO POSTERIORE LKF14 LKF14 REAR BRAKE CALIPER BODY
2	LK039E 22	O-RING NBR 70 29,75X3X53 NBR70 29,75X3X53 O-RING
3	LK031G LKF14	PISTONCINO PINZA FRENO LKF14 LKF14 REAR BRAKE CALIPER PISTON
4	LK031S 5	MAGNETE Ø20X10 Ø20X10 MAGNET
5	LK061A 4X12	VSP 4X12 4X12 VSP SCREW
6	LK032Z	SFIATO M10X1 M10X1 VENT
7	LK061B 5X70	VTCE 5X70 5X70 VTCE SCREW
8	LK061D 5AUT	DADO M.5 AUTOBLOCCANTE ALTO M.5 HIGH SELF-LOCKING FLANGED NUT
9B	LK031J LKF14	PASTIGLIA FRENO POSTERIORE LKF14 MEDIUM MEDIUM LKF14 REAR BRAKE PAD
9A	LK031J LKF14 SOFT	PASTIGLIA FRENO POSTERIORE LKF14 SOFT SOFT LKF14 REAR BRAKE PAD
9C	LK031J LKF14 HARD	PASTIGLIA FRENO POSTERIORE LKF14 HARD HARD LKF14 REAR BRAKE PAD

Es	Cod	Articolo Item
10	LK031Z TAPPO	TAPPO PINZA POSTERIORE REAR BRAKE CALIPER CAP
11	LK039E 10	O-RING 32,92 X 2,62 32,92 X 2,62 O-RING
12	LK032Z	RONDELLA M.10X14X1,5 M.10X14X1,5 WASHER
13	LK032X 1	VITE FORATA M.10X1 M.10X1 PERFORATED SCREW
14	LK030P	FERMO PERNO REGGIPASTIGLIA PAD HOLDER PIN STOP
15	LK031Z KIT F14	KIT REVISIONE TENUTA PINZA POSTERIORE REAR CALIPER SEAL REBUILDING KIT

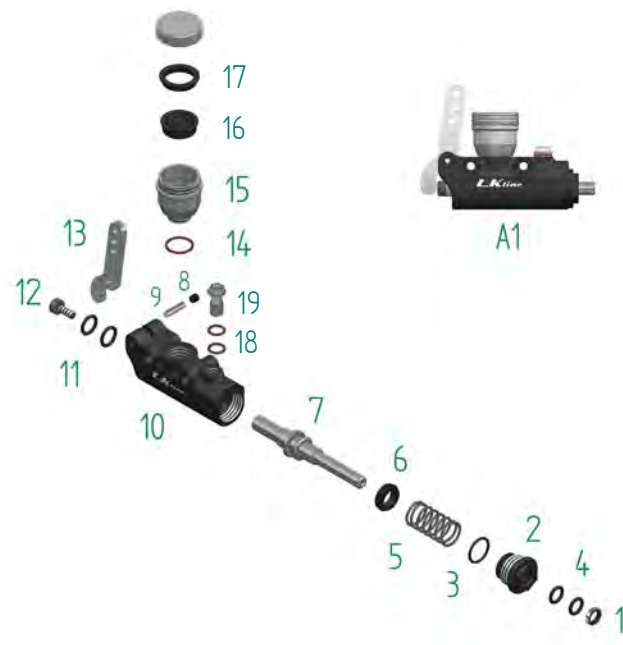
**Esploso pinza freno anteriore**  
 Front brake caliper assambled view



ES	Cod	Articolo Item
1A	LK032A S LKF13	CORPO PINZA FRENO ANTERIORE SX LKF13 L LKF13 FRONT BRAKE CALIPER BODY
1B	LK032A D LKF13	CORPO PINZA FRENO ANTERIORE DX LKF13 R LKF13 FRONT BRAKE CALIPER BODY
2	LK039E 13 EPDM	O-RING PINZA ANTERIORE FRONT BRAKE CALIPER O-RING
3	LK031G LKF8	PISTONCINO PINZA FRENO ANTERIORE FRONT BRAKE CALIPER PISTON
4	LK031S 5	MAGNETE Ø20X10 Ø20X10 MAGNET
5	LK061A 4X12	VSP 4X12 4X12 VSP SCREW
6	LK032Z	SFIATO M.10X1 M.10X1 VENT
7	LK061B 5X65	VTCE 5X65 5X65 VTCE SCREW

Es	Cod	Articolo Item
8	LK061D 5AUT	DADO M.5 AUTOBLOCCANTE ALTO M.5 HIGH SELF-LOCKING FLANGED NUT
9A	LK032J LKF13	PASTIGLIA ANTERIORE LKF13 MEDIUM MEDIUM LKF13 FRONT BRAKE PAD
9B	LK032J LKF13 SOF T	PASTIGLIA ANTERIORE LKF13 SOFT SOFT LKF13 FRONT BRAKE PAD
9C	LK032J LKF13 HARD	PASTIGLIA ANTERIORE LKF13 HARD HARD LKF13 FRONT BRAKE PAD
10	LK032A TAPPO	TAPPO PINZA FRENO ANTERIORE FRONT BRAKE CALIPER CAP
11	LK039E 4 EPDM	O-RING TAPPO PINZA FRENO ANTERIORE FRONT BRAKE CALIPER CAP O-RING
12	LK032Z	RONDELLA M.10X14X1,5 M.10X14X1,5 WASHER
13	LK032X 1	VITE FORATA M.10X1 M.10X1 PERFORATED SCREW
14	LK030P	FERMO PERNO REGGIPASTIGLIA PAD HOLDER PIN STOP
15	LK032X KIT LKF13	KIT REVISIONE TENUTA PINZA ANTERIORE FRONT CALIPER SEAL REBUILDING KIT

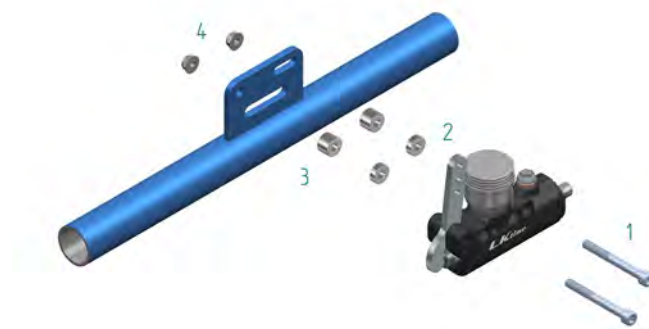
## Pompa freno Brake pump



ES	Cod	Articolo Item
1	LK040 P	PARAOLIO 10X14X3 10X14X3 SEAL
2	LK032B T KK-R	TAPPO POMPA FRENO KK-R KK-R BRAKE PUMP CAP
3	LK039E 20	O-RING NBR 70 18,77 X 1,78 NBR 70 18,77 X 1,78 O-RING
4	LK039E 21	O-RING NBR 70 9,92 X 2,62 NBR 70 9,92 X 2,62 O-RING
5	LK030H LKF8	MOLLA POMPA FRENO BRAKE PUMP SPRING
6	LK030V LKF8	GOMMINO PISTONCINO POMPA FRENO LKF8 LKF8 BRAKE PUMP PISTO RUBBER
7	LK030F KK-R	PISTONCINO POMPA FRENO KK-R KK-R BRAKE PUMP PISTON
8	LK061H 6X6	GRANO M.6X6 M.6X6 GRUB SCREW
9	LK061N	SPINA CILINDRICA 5X20 5X20 PIN
10	LK030J 16	CORPO POMPA FRENO KK-R KK-R BRAKE PUMP BODY

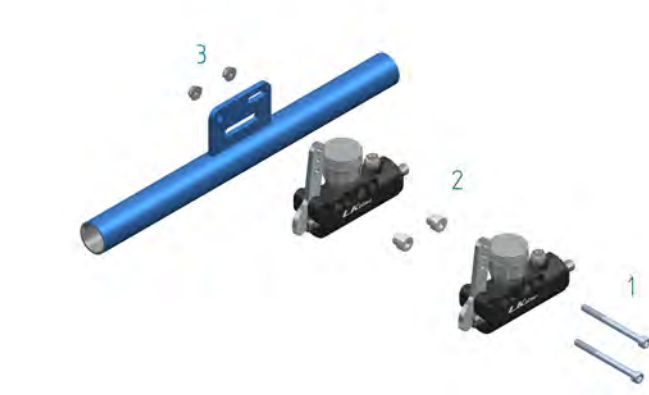
Es	Cod	Articolo Item
11	LK039E 17	O-RING NBR 70 11,91 X 2,62 NNBR 70 11,91 X 2,62 O-RING
12	LK030F T KK-R	TESTA PISTONCINO POMPA FRENO KK-R KK-R BRAKE PUMP PISTON HEAD
13	LK029U 3	LEVA POMPA FRENO KK-R KK-R BRAKE PUMP LEVER
14	LK061E R 18X22	RONDELLA IN RAME 18X22X1,5 18X22X1,5 COPPER WASHER
15	LK030J S LKF8	SERBATOIO DI RECUPERO OIL RECOVERY TANK
16	LK029L LKF8	MEMBRANA SERBATOIO TANK MEMBRANE
17	LK029L G LKF8	GUARNIZIONE MEMBRANA SERBATOIO DI RECUPERO OLIO OIL RECOVERY TANK MEMBRANE GASKET
18	LK032Z	RONDELLA M.10X14X1,5 M.10X14X1,5 WASHER
19	LK032X 1	VITE FORATA M.10X1 M.10X1 PERFORATED SCREW
20	LK030J KIT KK-R	KIT REVISIONE TENUTA POMPA BRAKE PUMP SEAL REBUILDING KIT

## Kit viti per montaggio pompa freno direct drive Direct drive brake pump screws kit



ES	Cod	Articolo Item
1	LK061B 6X55	VTCE 6X55 6X55 VTCE SCREW
2	LK007N 5	DISTANZIALE 5MM 5MM SPACER
3	LK007N 10	DISTANZIALE 10MM 10MM SPACER
4	LK061D FLAN	DADO M.6 AUTOBLOCCANTE FLANGIATO M.6 SELF-LOCKING FLANGED NUT

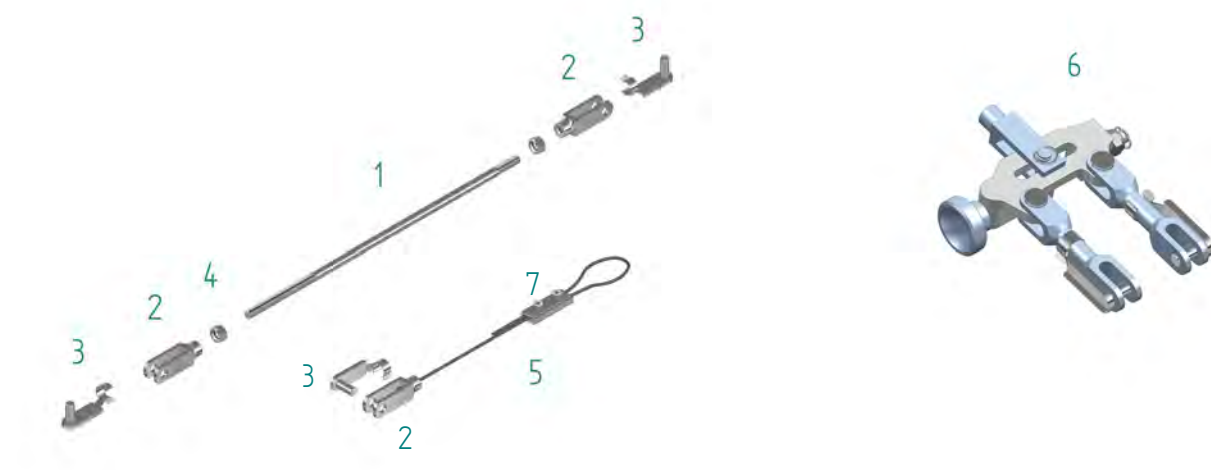
## Kit viti per montaggio pompa freno shifter Shifter brake pump screws kit



ES	Cod	Articolo Item
1	LK061B 6X75	VTCE 6X75 6X75 VTCE SCREW
2	LK007N 8	DISTANZIALE POMPA FRENO KK-R KK-R BRAKE PUMPS SPACER
3	LK061D FLAN	DADO M.6 AUTOBLOCCANTE FLANGIATO M.6 SELF-LOCKING FLANGED NUT

## Gruppo comando freno

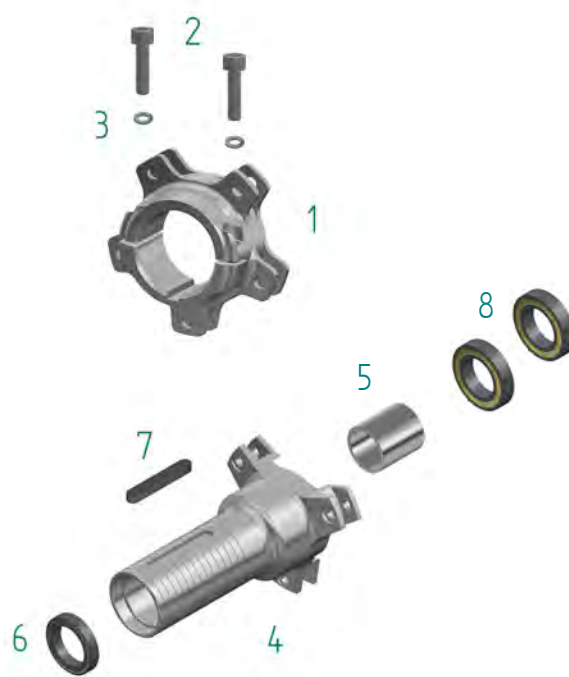
### Brake system control



Es	Cod	Articolo Item
1A	LK029E	ASTA COMANDO FRENI 6X360 6X360 BRAKE CONTROL ROD
1B	LK029E 320	ASTA COMANDO FRENI 6X320 6X320 BRAKE CONTROL ROD
1C	LK029E 400	ASTA COMANDO FRENI 6X400 6X400 BRAKE CONTROL ROD
1D	LK029E 450	ASTA COMANDO FRENI 6X450 6X450 BRAKE CONTROL ROD
2	LK029S	FORCELLA POMPA FRENO BRAKE CONTROL ROD FORK
3	LK029V	CLIP PER FORCELLA FORK BLOCK
4	LK061D 6	DADO M.6 M.6 NUT
5	LK029W 1	CAVO DI SICUREZZA FRENO BRAKE SAFETY CABLE
6	LK029D 2008	RIPARTITORE DI FRENATA BRAKING DISTRIBUTOR
7	LK036V	MORSETTO DUPLEX DUPLEX CLAMP

## Porta disco posteriore - anteriore

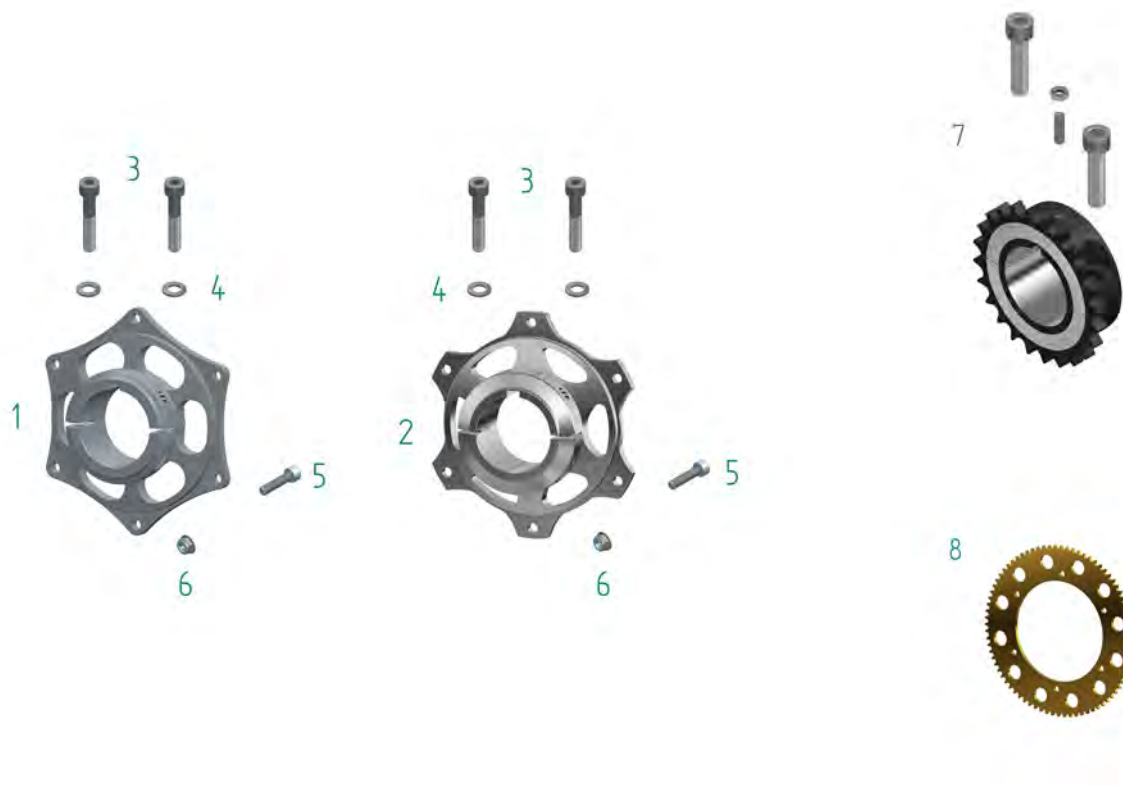
### Rear - front disc holders



Es	Cod	Articolo Item
1	LK023E KK-R	PORTA DISCO D.50 FLOTTANTE D.50 REAR FLOATING DISC HOLDER
2	LK061B 8X30	VTCE 8X30 8X30 VTCE SCREW
3	LK061E 8Z	RONDELLA M.8 ZIGRINATA M.8 KNURLED WASHER
4	LK023E LKF8 42	MOZZO PORTA DISCO ANTERIORE KZ FRONT BRAKE DISC HOLDER HUB
5	LK023E D LKF8 42	DISTANZIALE PORTADISCO LKF8 42 LKF8 42 DISC HOLDER SPACER
6	LK026P	CUSCINETTO 6805 6805 BEARING
7	LK021G 1	CHIAVETTA 8X5X50 8X5X50 AXLE KEY
8	LK026Q	CUSCINETTO PER MOZZO FRONT BRAKE DISC HOLDER HUB BEARING

## Porta corona

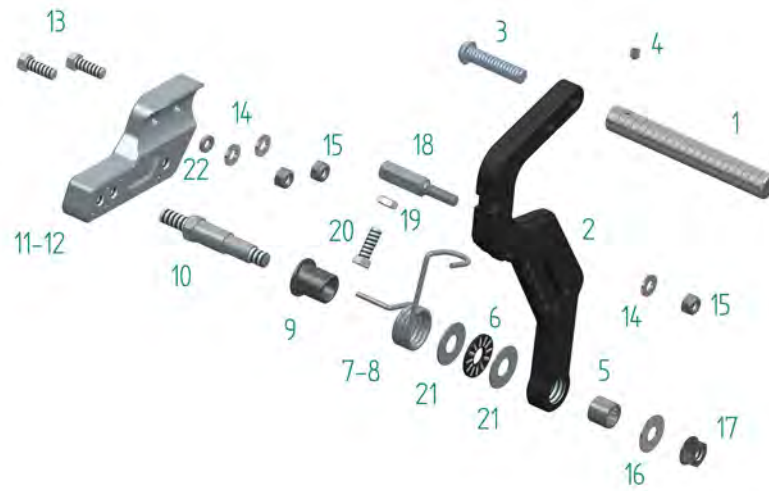
### Rear sprocket carriers



Es	Cod	Articolo Item
1	LK023F T	PORTA CORONA Ø50 ALLUMINIO Ø50 ALLUMINIUM REAR SPROCKET CARRIER
2	LK023M	PORTA CORONA Ø50 MAGNESIO Ø50 MAGNESIUM REAR SPROCKET CARRIER
3	LK061B 8X40	VTCE 8X40 8X40 VTCE SCREW
4	LK061E 8Z	RONDELLA M.8 ZIGRINATA M.8 KNURLED WASHER
5	LK061B 6X20	VTCE 6X20 6X20 VTCE SCREW
6	LK061D FLAN	DADO M.6 AUTOBLOCCANTE FLANGIATO M.6 SELF-LOCKING FLANGED NUT
7	LK024I ...	CORONA ERGAL KZ D.50 DA Z-21 A Z-29 KZ D.50 OF Z-21 A Z-29 ERGAL REAR SPROCKET CARRIER
8	LK024A ...	CORONA ANODIZZATA OK DA Z-66 A Z-94 OK OF Z-66 A Z-94 ANODIZED REAR SPROCKET CARRIER

## Gruppo pedali

### Pedals system



Es	Cod	Articolo Item
	LK017L A/F K1	PEDALE COMPLETO COMPLETE PEDAL
1	LK017K 2	POGGIA PIEDI CORPO PEDALE BODY PEDAL FEET SUPPORT
2	LK017K M	CORPO PEDALE A-F M R-L BODY PEDAL
3	LK061P 8X35	VITE BOMBATA 8X35 8X35 ROUNDED SCREW
4	LK061H 5X4	GRANO M.5X4 M.5X4 GRUB SCREW
5	B.06.075.B	GABBIA A RULLI SKF HK1012 SKF HK1012 ROLLER CAGE
6	B.06.017.A	CUSCINETTO ASSIALE A RULLI PIATTO IKO NTB1024 IKO NTB1024 FLAT ROLLER AXIAL BEARING
7	LK035N 1	MOLLA PEDALE DX R-PEDAL RETURN SPRING
8	LK035N 2	MOLLA PEDALE SX L-PEDAL RETURN SPRING
9	LK017V B KK-R	BOCCOLA PERNO PEDALE KK-R ACC KK-R STEEL PEDAL PIN BUSHING

Es	Cod	Articolo Item
10	LK017V KK-R	PERNO PEDALE KK-R <i>KK-R PEDAL PIN</i>
11	LK063H XA	PORTAPEDALE XA <i>XA PEDAL HOLDER</i>
12	LK063H XF	PORTAPEDALE XF <i>XF PEDAL HOLDER</i>
13	LK061C 6X40	TE 6X40 <i>6X40 TE SCREW</i>
14	LK061E 6	RONDELLA PIANA M.6 <i>M.6 FLAT WASHER</i>
15	LK061D 6 AUT B	DADO M.6 AUTOBLOCCANTE BASSO <i>M.6 LOW SELF-LOCKING NUT</i>
16	B.06.019.B	RALLA CUSCINETTO ASSIALE INA A.S. 0821 <i>INA A.S. 0821 WASHER AXIAL BEARING</i>
17	LK061D AUT B	DADO M.8 AUTOBLOCCANTE BASSO <i>M.8 LOW SELF-LOCKING NUT</i>
18	LK036G 4	PERNO SUPP. REGISTRO A/F L-47 <i>A/F L-47 PEDAL REGISTER</i>
19	LK061D 6	DADO M.6 <i>M.6 NUT</i>
20	LK061C 6X30	TE 6X30 <i>6X30 TE SCREW</i>
21	B.06.019.A	RALLA CUSCINETTO ASSIALE IKO 1024 <i>IKO 1024 WASHER AXIAL BEARING</i>
22	LK019G 3.2	RONDELLA PORTAPEDALI PARAURTI KK-R <i>KK-R PEDAL HOLDER WASHER</i>

## Sistema pedaliera arretrata

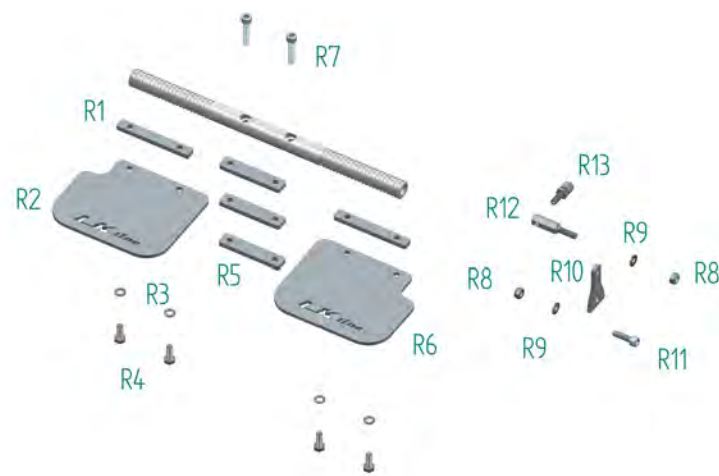
### Retracted pedals system



Es	Cod	Articolo Item
A1	LK017V B	BATTUTA PEDALI K1 K1 PEDAL STOP
A2	LK063H X1	FINECORSA X1 PEDAL LIMIT SWITCH
A3	LK061B 5X14	VTCE 5X14 5X14 VTCE SCREW
A4	LK061B 5X12	VTCE 5X12 5X12 VTCE SCREW
A5	LK061D 6	DADO M.6 M.6 NUT
A6	LK061B 6X40	VTCE 6X40 6X40 VTCE SCREW
	LK007Q KIT	KIT SISTEMA PEDALI KK ARRETRATO. COMPRENDE LE VOCI: A1, A2, A3, A4, A5, A6, R1, R2, R3, R4, R5, R6, R7, R8, R9, R10, R11 REAR KK PEDAL SYSTEM KIT. INCLUDES ITEMS: A1, A2, A3, A4, A5, A6, R1, R2, R3, R4, R5, R6, R7, R8, R9, R10, R11

## Sistema pedaliera rialzata

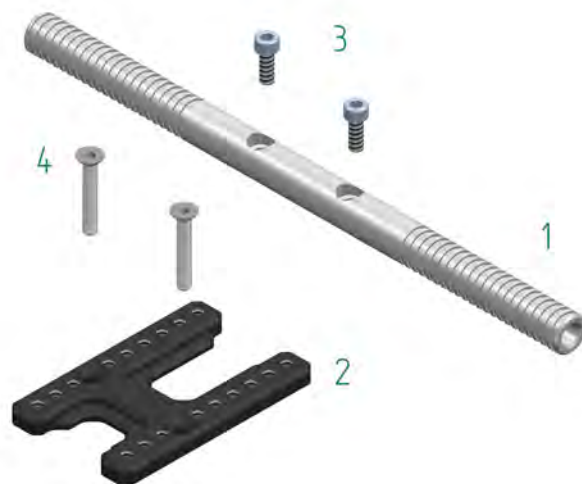
### Raised pedals system



Es	Cod	Articolo Item
R1	LK0070 L-80	STAFFA RIALZO TALLONI L-80 L-80 FOOT SUPPORT PLATE LOWERING SPACER
R2	LK007N L SX	POGGIATALLONI LK LINE SX LEFT LK LINE FOOT SUPPORT PLATE
R3	LK061E Z	RONDELLA M.6 ZIGRINATA M.6 KNURLED WASHER
R4	LK061C 6X16	TE 6X16 6X16 TE SCREW
R5	LK0070 L-67	STAFFA RIALZO TALLONI L-67 L-67 FOOT SUPPORT RISE SPACER
R6	LK007N L DX	POGGIATALLONI LK LINE DX RIGHT LK LINE FOOT SUPPORT PLATE
R7	LK061B 6X30	VTCE 6X30 6X30 VTCE SCREW
R8	LK061D 6AUT B	DADO M.6 AUTOBLOCCANTE BASSO M.6 LOW SELF-LOCKING NUT
R9	LK061E 6	RONDELLA M.6 M.6 WASHER
R10	LK031U	PIASTRA REGOLATORE REGULATOR PLATE
R11	LK061B 6X20	VTCE 6X20 6X20 VTCE SCREW
R12	LK036G 1	PERNO SUPPORTO REGISTRO ACCELERATORE ACCELERATOR REGISTER SUPPORT PIN
R13	LK036G	REGOLATORE D.6 D.6 REGULATOR

## Poggia talloni

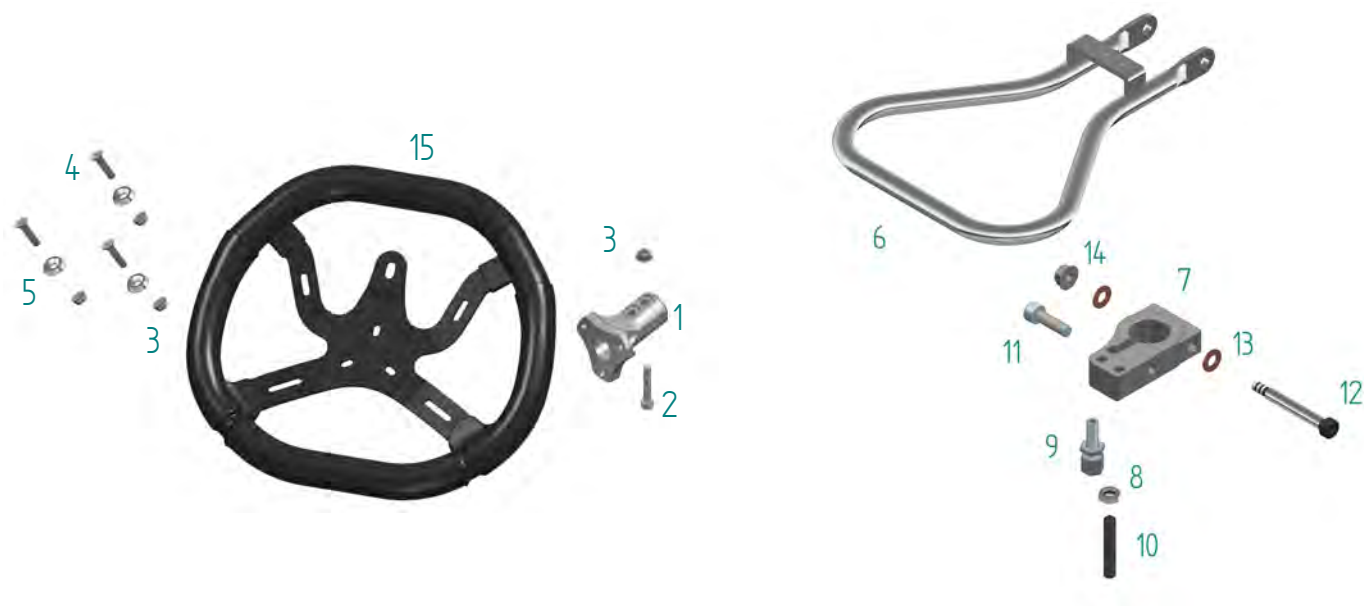
Feet support



ES	Cod	Articolo Item
1	LK007N 2021	POGGIA TALLONI FEET SUPPORT
3	LK061B 6X16	VTCE 6X16 6X16 VTCE SCREW
2	LK007N K1	STAFFA POGGIA TALLONI K1 K1 FEET SUPPORT HOLDER
4	LK061A 6X20	VSP 6X20 6X20 VTCE SCREW

## Volante-mozzo volante-leva frizione

### Steering wheel - steering wheel hub - clutch lever

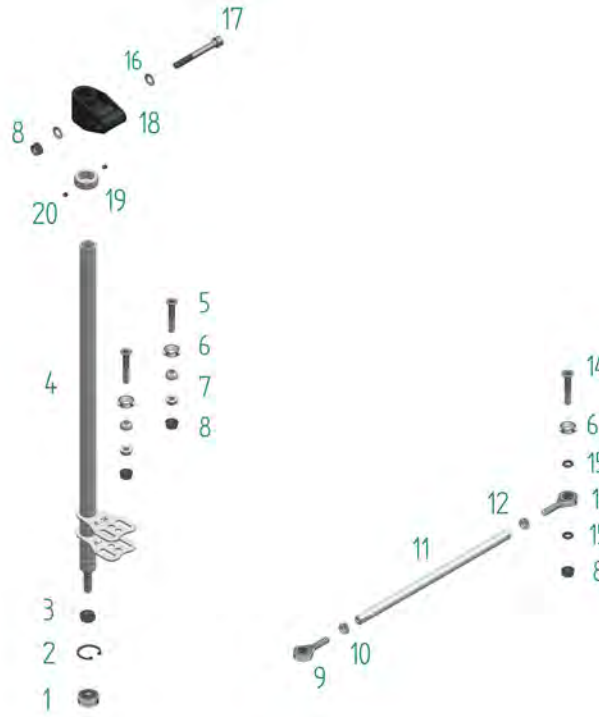


Es	Cod	Articolo Item
1	LK016P 1	MOZZO VOLANTE INCLINATO PER KK/MINI INCLINED STEERING WHEEL HUB FOR KK/MINI
2	LK061B 6X35	VTCE 6X35 6X35 VTCE SCREW
3	LK061D FLAN	DADO M.6 AUTOBLOCCANTE FLANGIATO M.6 SELF-LOCKING FLANGED NUT
4	LK061A 6X25	VSP 6X25 6X25 VSP SCREW
5	LK020E T	RONDELLA SVASATA ALLUMINIO 6X20 6X20 ALLUMINIUM COUNTERSUNK WASHER
6	LK016R 2017	LEVA FRIZIONE CLUTCH LEVER
7	LK016R 3	ATTACCO LEVA FRIZIONE CLUTCH LEVER SUPPORT
8	LK061D 6	DADO M.6 M.6 NUT

Es	Cod	Articolo Item
9	LK036G	REGOLATORE D.6 <i>D.6 CLUTCH CABLE ADJUSTER</i>
10	B.05.004.A	GRANO 6X35 <i>6X35 GRUB SCREW</i>
11	LK061B 6X20	VTCE 6X20 <i>6X20 VTCE SCREW</i>
12	LK061O M5 6X40	VTCE GAMBO RETTIFICATO M5 6X40 <i>M5 6X40 GROUND SCREW</i>
13	B.12.025.A 6X12X1	RONDELLA DI RASAMENTO 6X12X1 <i>6X12X1 SHIM WASHER</i>
14	LK061D 5 AUT	DADO M.5 AUTOBLOCCANTE ALTO <i>M.5 HIGH SELF-LOCKING NUT</i>
15	LK014F 3	VOLANTE LENZOKART M7 <i>LENZOKART STEERING WHEEL</i>

## Piantone

### Steering column



Es	Cod	Articolo Item
1	LK016H 10	UNIBALL PIANTONE STERZO STEERING COLUMN UNIBALL
2	LK016I 10	FERMO UNIBALL UNIBALL SEEGER
3	LK061D 10B	DADO M.10 AUTOBLOCCANTE BASSO M.6 SELF-LOCKING FLANGED NUT
4	LK016G 490	PIANTONE 10X490 10X490 STEERING COLUMN
5	LK061A 8X50	VSP 8X50 8X50 VSP SCREW
6	LK020D T	RONDELLA SVASATA ALLUMINIO 8X22 8X22 ALLUMINIUM COUNTERSUNK WASHER
7	LK016T	BOCCOLA OTTONE BRASS BUSHING
8	LK061D 8AUT.F	DADO M.8 AUTOBLOCCANTE FLANGIATO M.8 SELF-LOCKING FLANGED NUT
9	LK016B	UNIBALL SINISTRO LEFT UNIBALL

Es	Cod	Articolo Item
10	LK061D 8S	DADO M.8 SINISTRO M.8 LEFT NUT
11	LK016X 26	BRACETTO TONDO DA 26 26 CM STEERING ARM
12	LK061D 8	DADO M.8 M.8 NUT
13	LK016C	UNIBALL DESTRO RIGHT UNIBALL
14	LK061A 8X45	VSP 8X45 8X45 VSP SCREW
15	LK061E 3	RONDELLA C 3MM 3MM C WASHER
16	LK061E 8	RONDELLA M.8 M.8 WASHER
17	LK061B 8X65	VTCE 8X65 8X65 VTCE SCREW
18	LK016E	SUPPORTO PIANTONE 20X8X8 20X8X8 STEERING COLUMN HOLDER
19	LK016L T	ANELLO DI SICUREZZA PIANTONE STEERING COLUMN SAFETY RING
20	LK016L G	GRANO 5X5 5X5 GRUB SCREW

## Fuselli

### Stub-axles



Es	Cod	Articolo Item
1A	LK019U SX 10,5	FUSELLO SX KZ 10,5' L 10,5' KZ STUB-AXLE
1B	LK019U SX 11	FUSELLO SX KZ 11' L 11' KZ STUB-AXLE
1C	LK019U SX 12	FUSELLO SX KZ 12' L 12' KZ STUB-AXLE
2A	LK019U DX 10,5	FUSELLO DX KZ 10,5' R 10,5' KZ STUB-AXLE
2B	LK019U DX 11	FUSELLO DX KZ 11' R 11' KZ STUB-AXLE
2C	LK019U DX 12	FUSELLO DX KZ 12' R 12' KZ STUB-AXLE
3	LK019Z SX 10,5	FUSELLO SX OK-OKJ 10,5' L 10,5' OK-OKJ STUB-AXLE
4	LK019Z DX 10,5	FUSELLO DX OK-OKJ 10,5' R 10,5' OK-OKJ STUB-AXLE

Es	Cod	Articolo Item
5	LK019H 10	DISTANZIALE CUSCINETTO FUSELLO STUB-AXLE BEARINGS SPACER
6	LK019D 2	CUSCINETTO FUSELLO STUB-AXLE BEARING
7	LK020G 25	DISTANZIALE FUSELLO Ø25X10 Ø25X10 STUB-AXLE WHEEL SPACER
8	LK020J 25	DISTANZIALE FUSELLO Ø25X5 Ø25X5 STUB-AXLE WHEEL SPACER
9	LK020I	RONDELLA DI SICUREZZA FUSELLO STUB-AXLE WHEEL SAFETY WASHER
10	LK061D M14B	DADO FUSELLO M.14 M.14 STUB-AXLE NUT

## Esploso gruppo fusello

### Stub axle assembled view

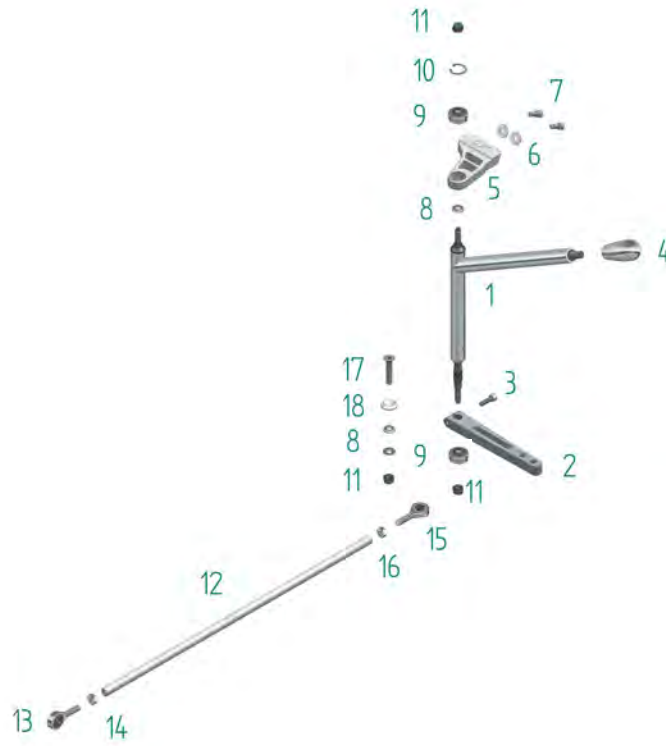


Es	Cod	Articolo Item
1	LK019I 10X80	PERNO RETTIFICATO M.10X80 <i>M.10X80 GROUND SCREW</i>
2	LK019L 10 2015	SNODO D.10 PER ECCENTRICO <i>D.10 ECCENTRIC BUSHING JOINT</i>
3	LK061B 4X10	VTCE 4X10 <i>4X10 VTCE SCREW</i>
4A	LK019E 1.5 2015	BOCCOLA ECCENTRICA Ø22 1.5 <i>Ø22 1.5 ECCENTRIC BUSHING</i>
4B	LK019E 0.5 2015	BOCCOLA ECCENTRICA Ø22 0.5 <i>Ø22 0.5 ECCENTRIC BUSHING</i>
4C	LK019E 1 2015	BOCCOLA ECCENTRICA Ø22 1 <i>Ø22 1 ECCENTRIC BUSHING</i>
4D	LK019E 2.5 2015	BOCCOLA ECCENTRICA Ø22 2.5 <i>Ø22 2.5 ECCENTRIC BUSHING</i>
4E	LK019E 3.9 2015	BOCCOLA ECCENTRICA Ø22 3.9 <i>Ø22 3.9 ECCENTRIC BUSHING</i>
5	LK019L 2015	RONDELLA SUPPORTO SNODO ECCENTRICO <i>ECCENTRIC BUSHING JOINT WASHER</i>

Es	Cod	Articolo Item
6	LK019E S5 3.8	RONDELLA SPESSORE H3.8 <i>H3.8 SPACER WASHER</i>
7	LK019E 2015	BOCCOLA FISSA Ø22 <i>Ø22 NEUTRAL BUSHING</i>
8	LK061E 3 F10	RONDELLA C 3MM FORO D10 <i>D10 3MM C WASHER</i>
9	LK061D 8AUT.F	DADO M.8 AUTOBLOCCANTE FLANGIATO <i>M.8 SELF-LOCKING FLANGED NUT</i>
10	LK019E S2	PIASTRINA CAMBER REGOLABILE <i>ADJUSTABLE CAMBER PLATE</i>
11	LK019E SI	BOCCOLA CAMBER REGOLABILE <i>ADJUSTABLE CAMBER BUSHING</i>
12	LK019E S6	PIASTRINA EASY CASTER <i>EASY CASTER PLATE</i>
13A	LK019E S7 0	CASTER 0'
13B	LK019E S7 +1	CASTER 1'
13C	LK019E S7 +2	CASTER 2'
13D	LK019E S7 +3	CASTER 3'
14	LK019E S3 E	SFERA ESTERNA SNIPER <i>EXTERNAL SPHERE SNIPER</i>

## Leva cambio

### Gear lever

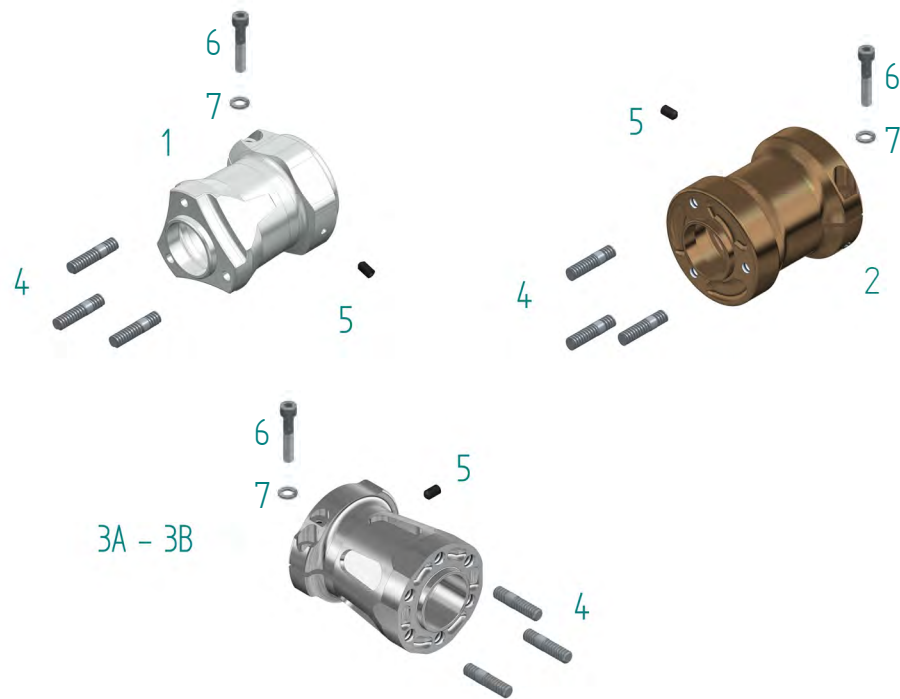


Es	Cod	Articolo Item
1	LK016N 3	LEVA CAMBIO KZ KZ GEAR LEVER
2	LK016A KK-R	ASTA LEVA CAMBIO KK-R CON MILLERIGHE KK-R SHIFT LEVER ROD WITH MILLERIGHE
3	LK061B 6X20	VTCE 6X20 6X20 VTCE SCREW
4	LK0160	POMELLO LEVA CAMBIO GEAR LEVER KNOB
5	LK064E 1	PIASTRA LEVA CAMBIO KZ KZ GEAR LEVER HOLDER PLATE
6	LK061E 6X18	RONDELLA 6X18 6X18 WASHER
7	LK061B 6X16	VTCE 6X16 6X16 VTCE SCREW
8	LK061E 3	RONDELLA C 3MM 3MM C WASHER
9	LK016H	UNIBALL PIANTONE UNIBALL COLUMN

Es	Cod	Articolo Item
10	LK016I	FERMO UNIBALL UNIBALL SEEGER
11	LK061D AUT B	DADO M.8 AUTOBLOCCANTE BASSO M.8 LOW SELF-LOCKING NUT
12	LK016A T	ASTA TIRANTE CAMBIO GEAR SHIFT ROD
13	LK016B	UNIBALL SX LEFT UNIBALL
14	LK061D 8S	DADO M.8 SX LEFT M.8 NUT
15	LK016C	UNIBALL DX RIGHT UNIBALL
16	LK061D 8	DADO M.8 M.8 NUT
17	LK061A 8X50	VSP 8X50 8X50 VSP SCREW
18	LK020D T	RONDELLA SVASATA ALLUMINIO 8X22 8X22 ALLUMINIUM COUNTERSUNK WASHER

## Mozzi posteriori

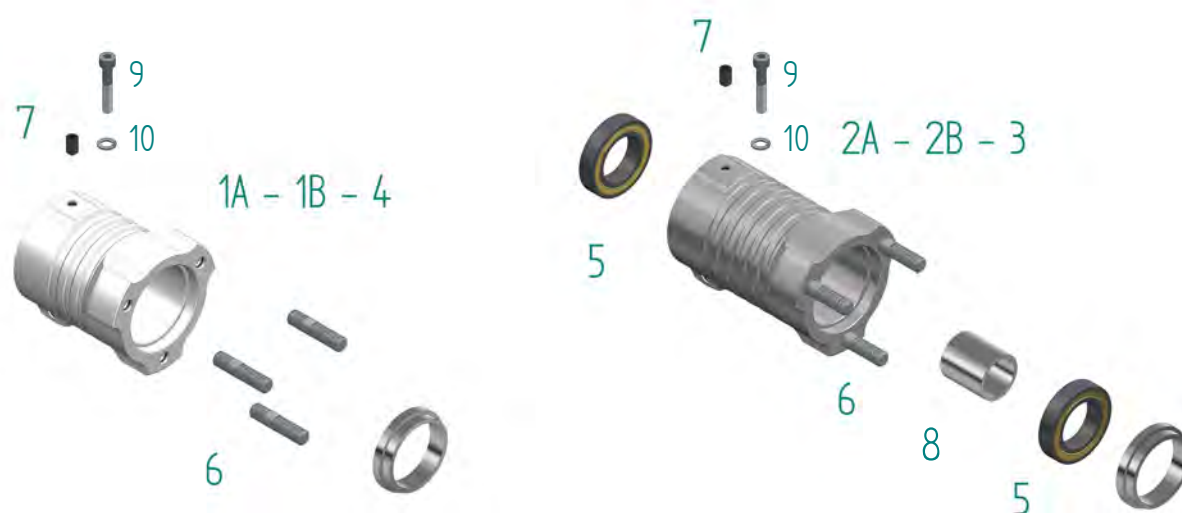
### Rear hubs



ES	Cod	Articolo Item
1	LK025H 105	MOZZO ALLUMINIO 50X105 50X105 ALLUMINIUM HUB
2A	LK026E	MOZZO MAGNESIO 50X88 50X88 MAGNESIUM HUB
2B	LK026H	MOZZO MAGNESIO 50X98 50X98 MAGNESIUM HUB
2C	LK026N	MOZZO MAGNESIO 50X105 50X105 MAGNESIUM HUB
2D	LK026I	MOZZO MAGNESIO 50X120 50X120 MAGNESIUM HUB
3A	LK025H A	MOZZO ALLUMINIO 50X90 50X90 ALLUMINIUM HUB
3B	LK026H M	MOZZO MAGNESIO 50X90 50X90 MAGNESIUM HUB
4	LK018F 1	PRIGIONERO MOZZI REAR HUB STUD
5	LK061H 6X10	GRANO 6X10 6X10 GRUB SCREW
6	LK061B 8X35	VTCE 8X35 8X35 VTCE SCREW
7	LK061E 8Z	RONDELLA M.8 ZIGRINATA M.8 KNURLED WASHER

## Mozzi anteriori

### Rear hubs



Es	Cod	Articolo Item
1A	LK025C 42T	MOZZO ANTERIORE ALLUMINIO 42X75 KZ 42X75 KZ ALLUMINIUM FRONT HUB
1B	LK025C 42X95	MOZZO ANTERIORE ALLUMINIO 42X95 KZ 42X95 KZ ALLUMINIUM FRONT HUB
2A	LK025W1 80	MOZZO ANTERIORE ALLUMINIO 25X80 OK-KJ 25X80 OK-KJ ALLUMINIUM FRONT HUB
2B	LK025W1 110	MOZZO ANTERIORE ALLUMINIO 25X110 OK-OKJ 25X110 OK-OKJ ALLUMINIUM FRONT HUB
3	LK025W1 M80	MOZZO MAGNESIO 25X80 OK-OKJ 25X80 OK-OKJ MAGNESIUM FRONT HUB
4	LK025C M42T	MOZZO MAGNESIO KZ 42X75 42X75 OK-OKJ MAGNESIUM FRONT HUB
5	LK026Q 1	CUSCINETTO 6105 ZZ 12 6105 ZZ 12 BEARING
6	LK018F 1	PRIGIONERO MOZZI FRONT HUB STUD
7	LK061H 6X10	GRANO 6X10 6X10 GRUB SCREW
8	LK025W 1 D 80	DISTANZIALE MOZZO ANT. OK-J L-80 FRONT HUB SPACER OK-J L-80
9	LK061B 8X30	VTCE 8X30 8X30 VTCE SCREW
10	LK061E 8Z	RONDELLA M.8 ZIGRINATA M.8 KNURLED WASHER

**Sedili  
Seats**

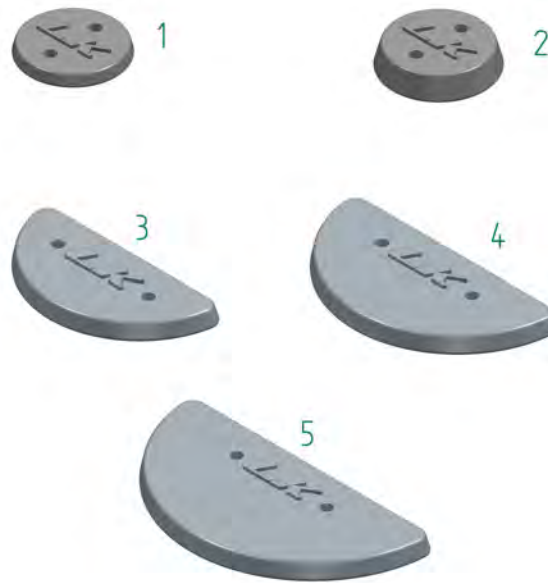


Es	Cod	Articolo Item
1A	LK015F R11	SEDILE 1 SILVER LK LINE LK LINE 1 SILVER SEAT
1B	LK015F 30	SEDILE 1+ SILVER LK LINE LK LINE 1+ SILVER SEAT
1C	LK015F 31	SEDILE 2 SILVER LK LINE LK LINE 2 SILVER SEAT
1D	LK015F 32	SEDILE 3 SILVER LK LINE LK LINE 3 SILVER SEAT
1E	LK015F 33	SEDILE 4 SILVER LK LINE LK LINE 4 SILVER SEAT
2A	LK015F S	SEDILE F6 1 STD F6 1 STD SEAT
2B	LK015F S ELAS	SEDILE F6 1 ELASTICO F6 1 ELASTIC SEAT
2C	LK015F M	SEDILE F6 1+ STD F6 1+ STD SEAT
2D	LK015F M ELAS	SEDILE F6 1+ ELASTICO F6 1+ ELASTIC SEAT
2E	LK015F L	SEDILE F6 2 STD F6 2 STD SEAT

Es	Cod	Articolo Item
2F	LK015F XL	SEDILE F6 XL 3 STD <i>F6 XL 3 STD SEAT</i>
2G	LK015F XXL	SEDILE F6 XXL 4 STD <i>F6 XXL 4 STD SEAT</i>
2H	LK015F 5	SEDILE F6 5 STD <i>F6 5 STD SEAT</i>
3	LK061A 8X60	VSP 8X60 <i>8X60 VSP SCREW</i>
4	LK061A 8X30	VSP 8X30 <i>8X30 VSP SCREW</i>
5	LK020A T	RONDELLA SVASATA SEDILE ALLUMINIO 8X30 <i>8X30 ALLUMINIUM COUNTERSUNK SEAT WASHER</i>
6	LK020Y ALL	RONDELLA SEDILE ALLUMINIO <i>ALLUMINIUM SEAT WASHER</i>
7	LK015L T	SPESSORE SEDILE ALLUMINIO 20MM <i>20MM ALLUMINIUM SEAT SPACER</i>
8	LK015M T	SPESSORE SEDILE ALLUMINIO 10MM <i>10MM ALLUMINIUM SEAT SPACER</i>
9	LK015N T	SPESSORE SEDILE ALLUMINIO 5MM <i>5MM ALLUMINIUM SEAT SPACER</i>
10	LK061D 8AUT.F	DADO M.8 AUTOBLOCCANTE FLANGIATO <i>M.8 SELF-LOCKING FLANGED NUT</i>
11A	LK018K_80A	STAFFA 80 MM <i>80 MM BRACKET</i>
11B	LK018K_70A	STAFFA 70 MM <i>70 MM BRACKET</i>
11C	LK018K_50A	STAFFA 50 MM <i>50 MM BRACKET</i>
12	LK061B 6X35	VTCE 6X35 <i>6X35 VTCE SCREW</i>
13	LK061E 6	RONDELLA PIANA M.6 <i>M.6 FLAT WASHER</i>
14	LK061D 6AUT B	DADO M.6 AUTOBLOCCANTE FLANGIATO <i>M.6 SELF-LOCKING FLANGED NUT</i>
15	LK015...	STAFFA SUPPORTO SEDILE DA-25 A L-40 <i>FROM-25 TO L-40 EXTRA SEAT SUPPORT</i>

## Zavorra in piombo

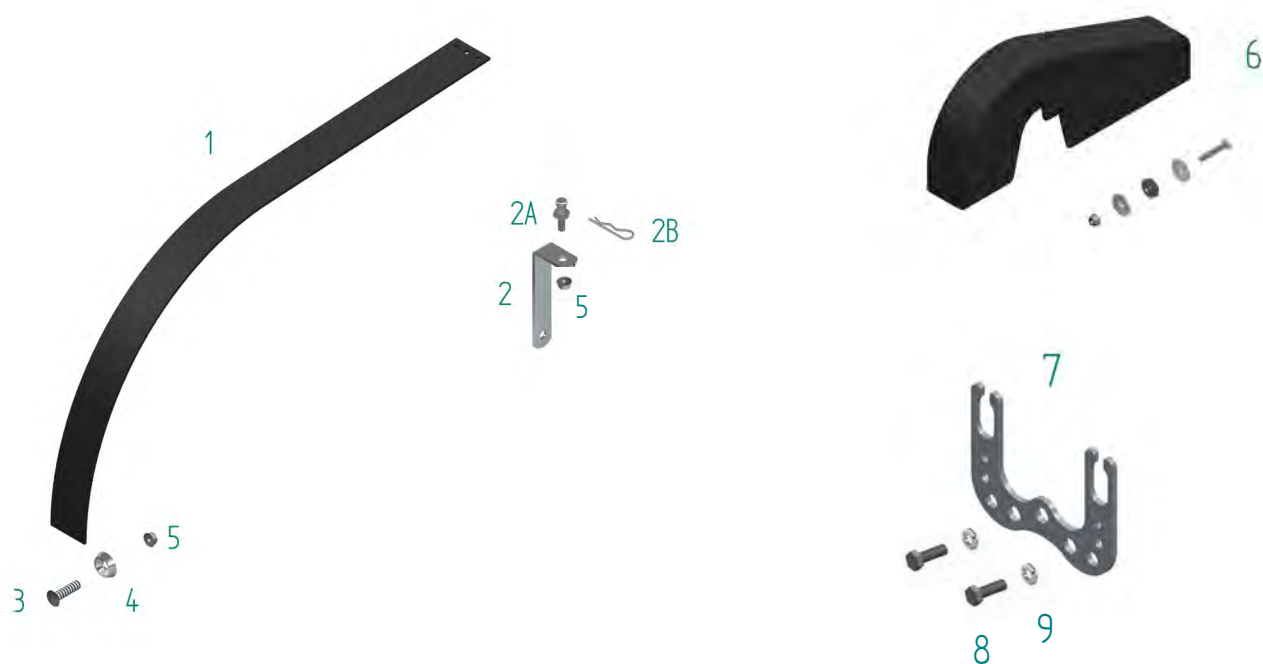
Lead ballasts



ES	Cod	Articolo Item
1	LK076E	ZAVORRA PIOMBO 0,5 KG 0,5 KG LEAD BALLAST
3	LK076A	ZAVORRA PIOMBO 1 KG 1 KG LEAD BALLAST
2	LK076B	ZAVORRA PIOMBO 2 KG 2 KG LEAD BALLAST
4	LK076C	ZAVORRA PIOMBO 3 KG 3 KG LEAD BALLAST
5	LK076D	ZAVORRA PIOMBO 4 KG 4 KG LEAD BALLAST

## Protezione catena

### Chain protection



ES	Cod	Articolo Item
1	LK038A	STRISCIA PARACATENA CHAIN GUARD
2	LK038H	STAFFA PARACATENA CORTA SHORT CHAIN GUARD COVER
2A	LK011D	PERNO FRONTALINO FRONT FAIRING PIN
2B	LK009Z 2	COPPIGLIA FRONTALINO FRONT FAIRING COTTER
3	LK061A 6X20	VSP 6X20 6X20 VSP SCREW
4	LK020E T	RONDELLA SVASATA ALLUMINIO 6X20 6X20 ALLUMINIUM COUNTERSUNK WASHER
5	LK061D FLAN	DADO M.6 AUTOBLOCCANTE FLANGIATO M.6 SELF-LOCKING FLANGED NUT
6	LK038P	PARACATENA INTEGRALE CON KIT VITI DI FISSAGGIO INTEGRAL CHAIN GUARD WITH FIXING SCREW KIT
7	LK038L 1	STAFFA SUPPORTO PARACATENA OK OK CHAIN GUARD HOLDER BRACKET
8	LK061C 8X25	TE 8X25 8X25 TE SCREW
9	LK061E 3	RONDELLA C 3MM 3MM C WASHER

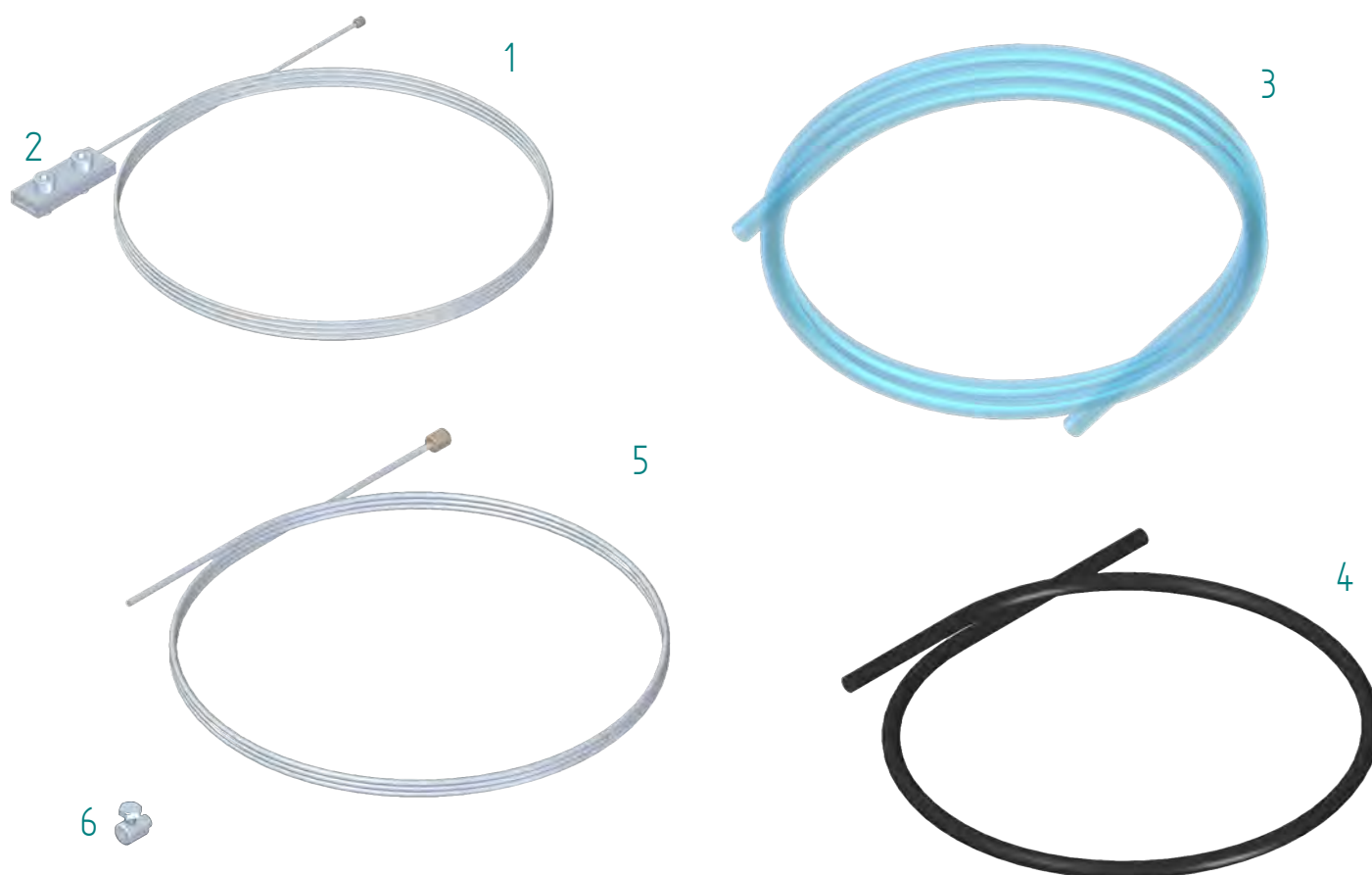
## Cerchi Rims



Es	Cod	Articolo Item
1	LK027F 212	CERCHIO POSTERIORE MAGNESIO H212 OXITECH H212 OXITECH MAGNESIUM REAR RIM
1A	LK027F	CERCHIO POSTERIORE MAGNESIO LKH212 LKH212 MAGNESIUM REAR RIM
2	LK027F 132	CERCHIO ANTERIORE MAGNESIO H132 OXITECH H132 OXITECH MAGNESIUM FRONT RIM
2A	LK027H	CERCHIO ANTERIORE MAGNESIO LKH132 LKH132 MAGNESIUM FRONT RIM
3	LK027F T	SET CERCHI ALLUMINIO TIGER H130-210 TIGER H130-210 ALUMINUM RIMS SET
4	LK027G T	SET CERCHI ALLUMINIO TIGER H130-180 TIGER H130-180 ALUMINUM RIMS SET
5	LK028H	VALVOLA TUBELESS CORTA SHORT TUBELESS VALVE
6	LK028V	KIT VITI ANTISTALLONAMENTO (12PZ.) ANTI-BEAD SCREWS KIT (12PCS)
7	LK028M	DADO DOUGLAS IN RAME COPPER DOUGLAS NUT
8	LK027E	BARRETTE ADESIVE DI PIOMBO PER EQUILIBRATURA ADHESIVE LEAD BARS FOR BALANCING

## Cavi e tubi carburante

### Fuel cables and pipes



1	LK036P 1	CAVO ACCELERATORE MORBIDO SOFT THROTTLE CABLE
2	LK036V	MORSETTO DUPLEX DUPLEX CLAMP
3	LK012T 5.5X8.5	TUBO BENZINA AZZURRO LK LK BLUE FUEL PIPE
4	LK036S	GUAINA Ø 5 NERA SHEATH Ø 5 BLACK
5	LK036M	CAVO FRIZIONE CLUTCH CABLE
6	LK036F	MORSETTO Ø 8 CLAMP Ø 8



  
**Lenzokart**<sup>®</sup>  
HIGH PERFORMANCE TECHNOLOGIES

[www.lenzokart.it](http://www.lenzokart.it)  
+39 0941 563203  
[info@lenzokart.com](mailto:info@lenzokart.com)

   +39 389 1666947